



T&S BRASS AND BRONZE WORKS, INC.

2 Saddleback Cove / P.O. Box 1088
Travelers Rest, SC 29690

Model No.

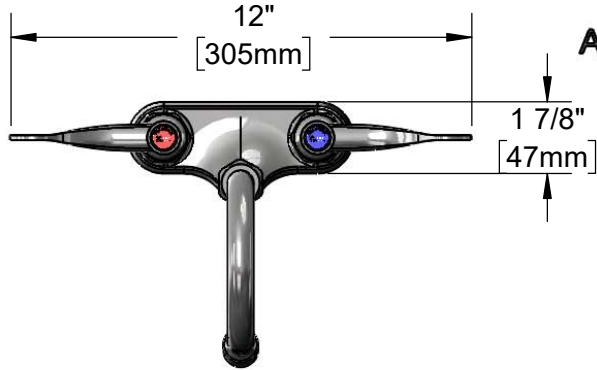
B-0892-QT-LF16

Item No.

Travelers Rest, SC: 800-476-4103 • Simi Valley, CA: 800-423-0150 • Fax: 864-834-3518 • www.tsbrass.com



ADA Compliant



This Space for Architect/Engineer Approval

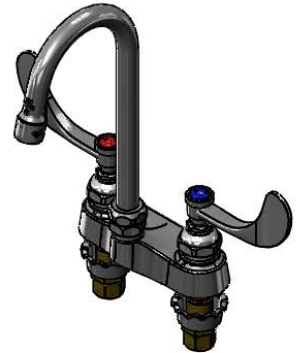
Job Name _____ Date _____

Model Specified _____ Quantity _____

Customer/Wholesaler _____

Contractor _____

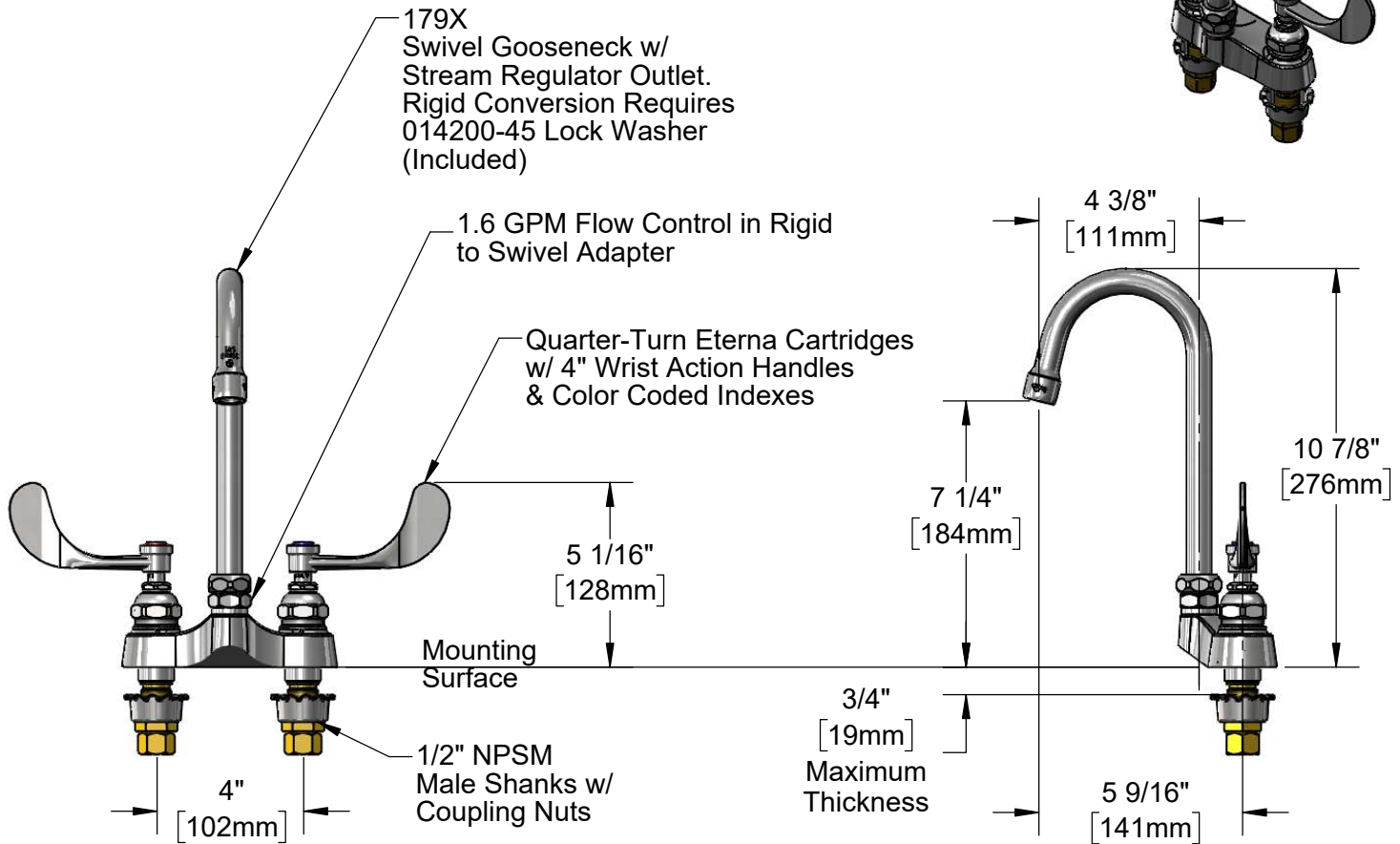
Architect/Engineer _____



179X Swivel Gooseneck w/ Stream Regulator Outlet. Rigid Conversion Requires 014200-45 Lock Washer (Included)

1.6 GPM Flow Control in Rigid to Swivel Adapter

Quarter-Turn Eterna Cartridges w/ 4" Wrist Action Handles & Color Coded Indexes



Rough-In Requirement:
(2) ϕ 1 1/8" [29mm] Mounting Holes

Product Specifications:
4" Centerset Mixing Faucet, Quarter-Turn Eterna Cartridges, 4" Wrist Action Handles, 4 3/8" Swivel/Rigid Gooseneck, Stream Regulator Outlet, 1.6 GPM Flow Control & 1/2" NPSM Male Inlets

Product Compliance:
ASME A112.18.1 / CSA B125.1
NSF 61 - Section 9
NSF 372 (Low Lead Content)
ANSI A117.1 (ADA)



T&S BRASS AND BRONZE WORKS, INC.

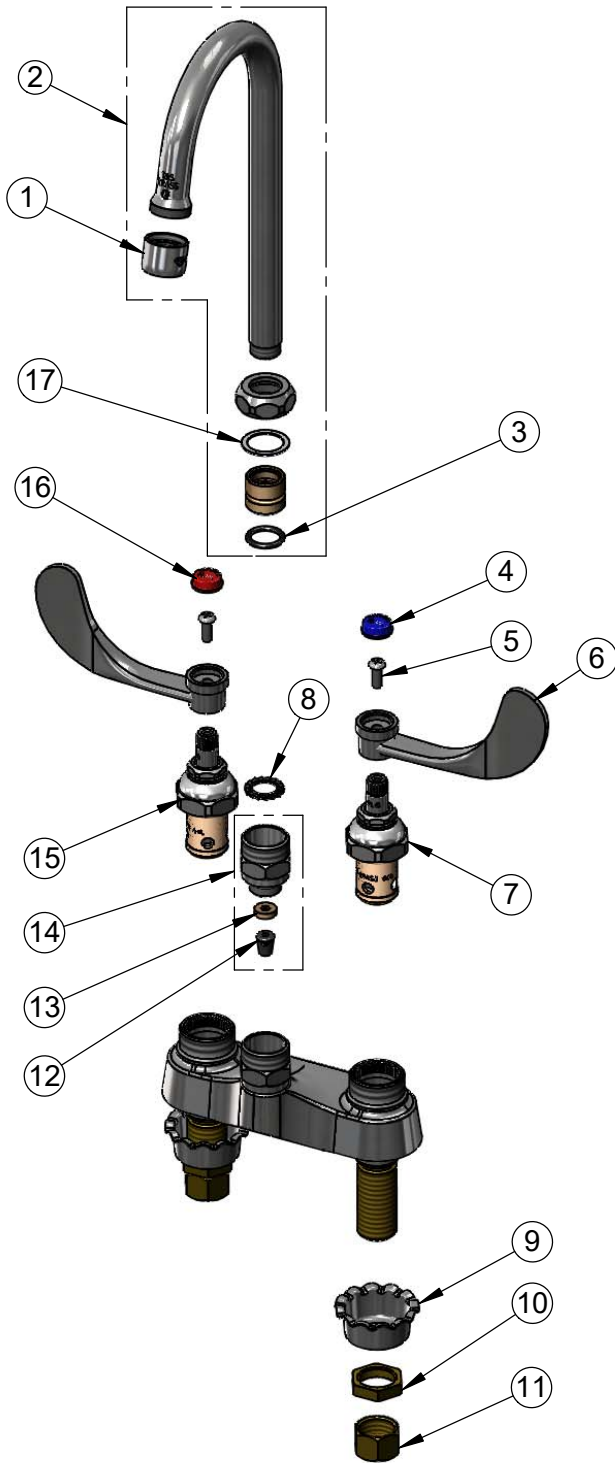
2 Saddleback Cove / P.O. Box 1088
Travelers Rest, SC 29690

Model No.

B-0892-QT-LF16

Item No.

Travelers Rest, SC: 800-476-4103 • Simi Valley, CA: 800-423-0150 • Fax: 864-834-3518 • www.tsbrass.com



ITEM NO.	SALES NO.	DESCRIPTION
1	B-PT	Full Flow Stream Regulator, 55/64-27
2	179X	4 3/8" Swivel Gooseneck w/ Stream Regulator Outlet
3	001074-45	O-Ring
4	001686-45	Blue Index - CW
5	000925-45	Lab Handle Screw
6	B-WH4	4" Wrist Action Handle
7	006009-40QT	Quarter-Turn Eterna Cartridge, LTC (Teflon)
8	014200-45	Star Washer, Anti-Rotation
9	001000-45	Rosette Washer
10	002954-45	Shank Lock Nut
11	000958-20	Coupling Nut
12	016232-45	1.6 GPM Flow Control
13	009069-45	Flow Control Holder
14	B-0412-F16	Rigid to Swivel Adapter w/ 1.6 GPM Flow Control
15	006010-40QT	Quarter-Turn Eterna Cartridge, RTC (Teflon)
16	001194-45	Red Index - HW
17	009538-45	Swivel Washer

Product Specifications:

4" Centerset Mixing Faucet, Quarter-Turn Eterna Cartridges, 4" Wrist Action Handles, 4 3/8" Swivel/Rigid Gooseneck, Stream Regulator Outlet, 1.6 GPM Flow Control & 1/2" NPSM Male Inlets

Product Compliance:

ASME A112.18.1 / CSA B125.1
NSF 61 - Section 9
NSF 372 (Low Lead Content)
ANSI A117.1 (ADA)