



# T&S BRASS AND BRONZE WORKS, INC.

2 Saddleback Cove / P.O. Box 1088  
Travelers Rest, SC 29690

Model No.

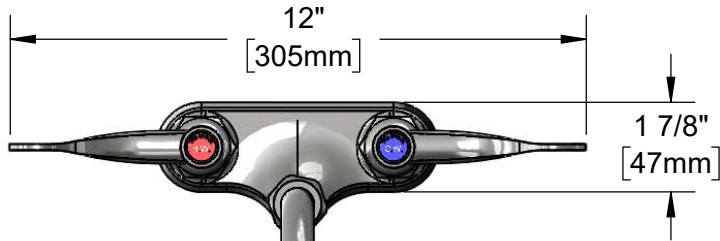
**B-0892-05CR-VRS**

Item No.

Travelers Rest, SC: 800-476-4103 • Simi Valley, CA: 800-423-0150 • Fax: 864-834-3518 • www.tsbrass.com



**ADA Compliant**



This Space for Architect/Engineer Approval

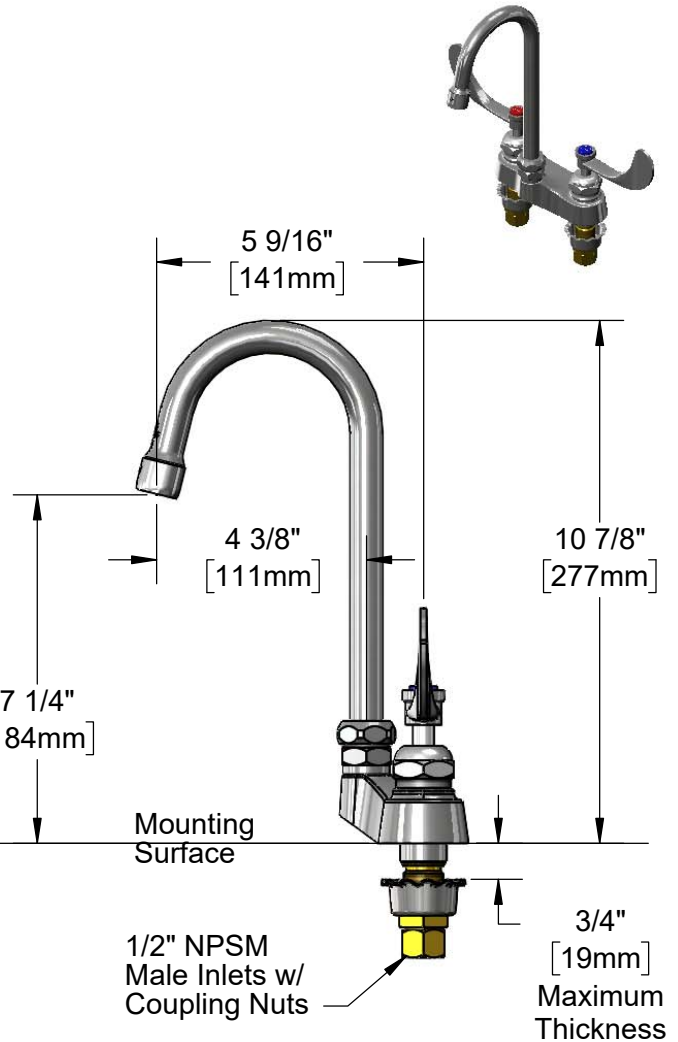
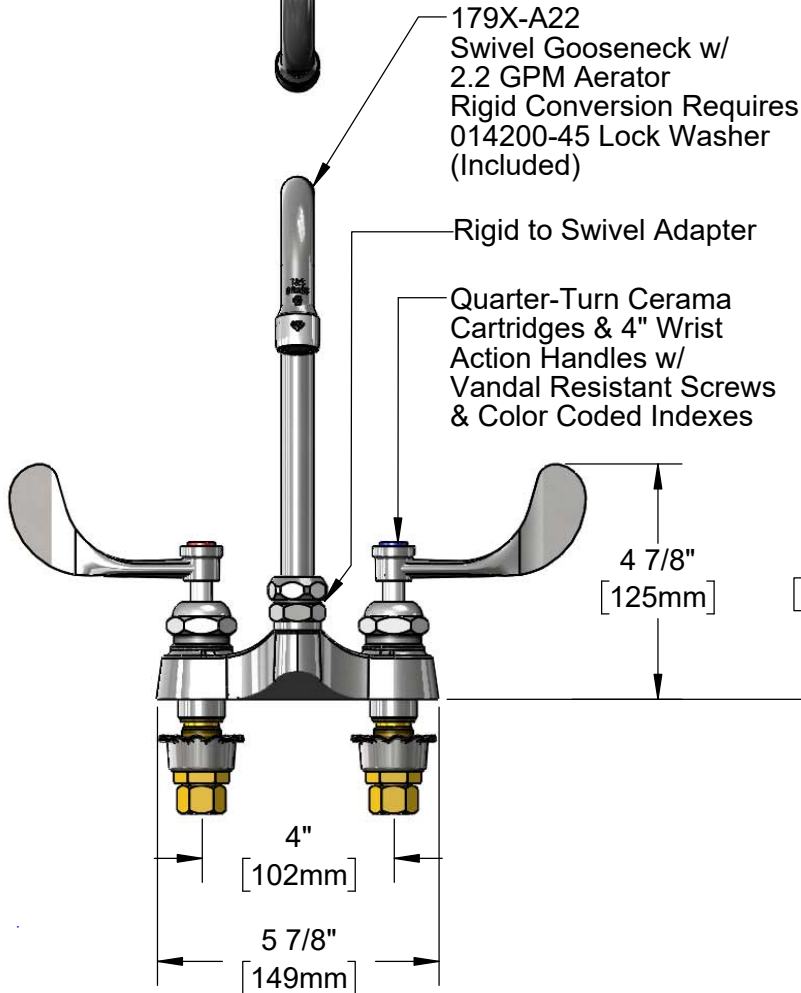
Job Name \_\_\_\_\_ Date \_\_\_\_\_

Model Specified \_\_\_\_\_ Quantity \_\_\_\_\_

Customer/Wholesaler \_\_\_\_\_

Contractor \_\_\_\_\_

Architect/Engineer \_\_\_\_\_



**Rough-In Requirement:**  
(2)  $\phi$  1 1/8" [29mm] Mounting Holes

**Product Specifications:**

4" Centerset Deck Mount Mixing Faucet, Quarter-Turn Cerama Cartridges, 4" Wrist Action Handles w/ Vandal Resistant Screws, 4 3/8" Swivel/Rigid Gooseneck, 2.2 GPM Aerator, Rigid to Swivel Adapter & 1/2" NPSM Male Inlets

**Product Compliance:**

ASME A112.18.1 / CSA B125.1  
NSF 61 - Section 9  
NSF 372 (Low Lead Content)  
ANSI A117.1 (ADA)



# T&S BRASS AND BRONZE WORKS, INC.

2 Saddleback Cove / P.O. Box 1088  
Travelers Rest, SC 29690

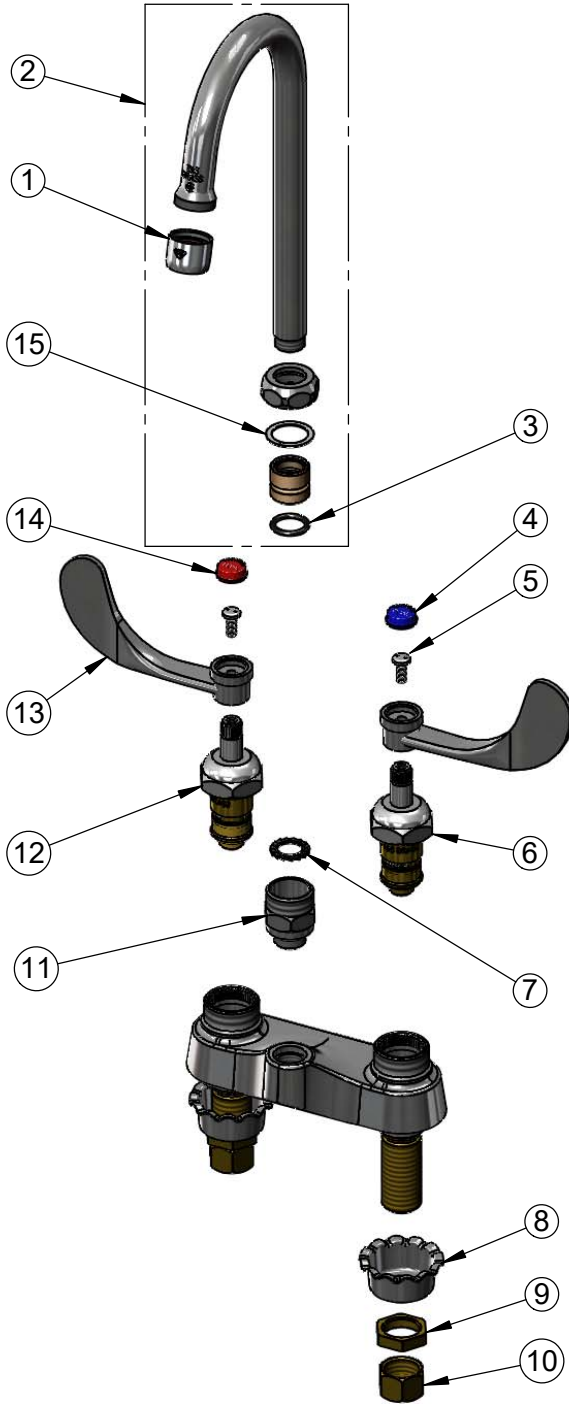
Model No.


**B-0892-05CR-VRS**

Item No.

Travelers Rest, SC: 800-476-4103 • Simi Valley, CA: 800-423-0150 • Fax: 864-834-3518 • www.tsbrass.com

ITEM NO.	SALES NO.	DESCRIPTION
1	B-0199-01	2.2 GPM Aerator, 55/64-27 UN Female
2	179X-A22	4 3/8" Swivel Gooseneck w/ 2.2 GPM Aerator
3	001074-45	O-Ring
4	001686-45	Blue Index - CW
5	VRS-2	VR Wrist Action Handle Screw w/ Sapnner Bit
6	011279-25	Quarter-Turn Cerama Cartridge, LTC
7	014200-45	Star Washer, Anti-Rotation
8	001000-45	Rosette Washer
9	002954-45	Shank Lock Nut
10	000958-20	Coupling Nut
11	B-0412	Rigid to Swivel Adapter
12	011278-25	Quarter-Turn Cerama Cartridge, RTC
13	B-WH4	4" Wrist Action Handle
14	001194-45	Red Index - HW
15	009538-45	Swivel Washer



  
 014075-45  
 Vandal Resistant  
 #10 Spanner Bit

**Product Specifications:**

4" Centerset Deck Mount Mixing Faucet, Quarter-Turn Cerama Cartridges, 4" Wrist Action Handles w/ Vandal Resistant Screws, 4 3/8" Swivel/Rigid Gooseneck, 2.2 GPM Aerator, Rigid to Swivel Adapter & 1/2" NPSM Male Inlets

**Product Compliance:**

ASME A112.18.1 / CSA B125.1  
NSF 61 - Section 9  
NSF 372 (Low Lead Content)  
ANSI A117.1 (ADA)