



T&S BRASS AND BRONZE WORKS, INC.

2 Saddleback Cove / P.O. Box 1088
Travelers Rest, SC 29690

Model No.

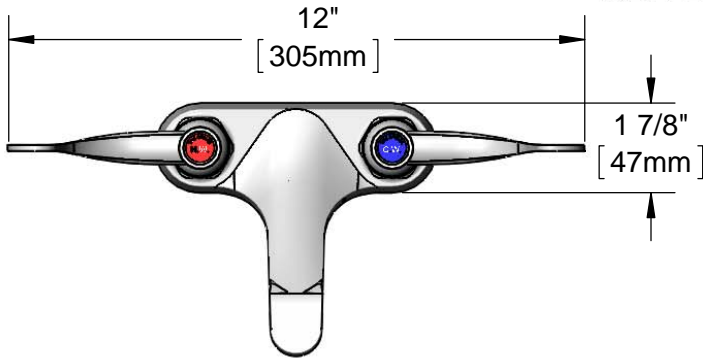
B-0890-VF05-QT

Item No.

Travelers Rest, SC: 800-476-4103 • Simi Valley, CA: 800-423-0150 • Fax: 864-834-3518 • www.tsbrass.com



ADA Compliant



This Space for Architect/Engineer Approval

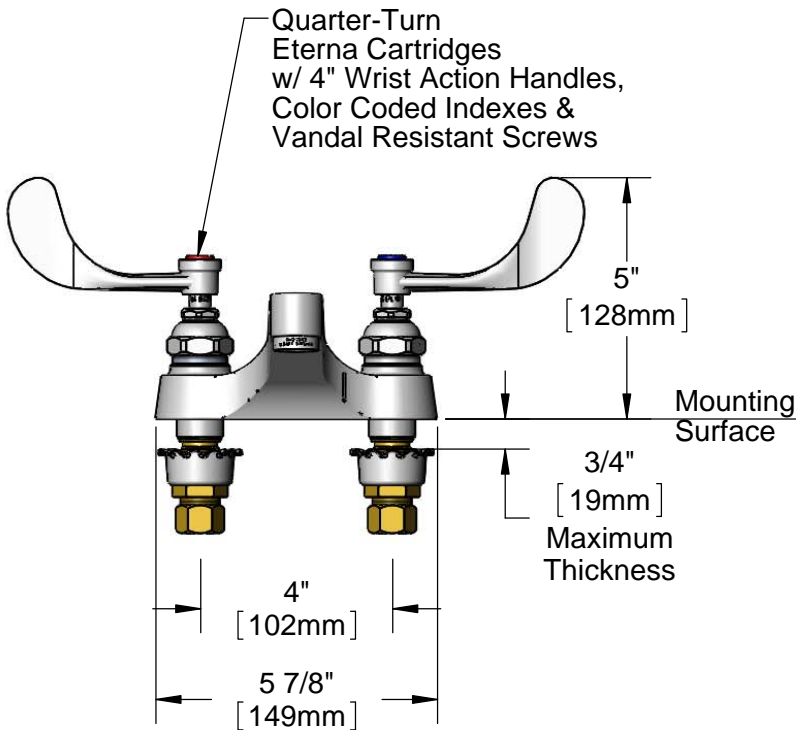
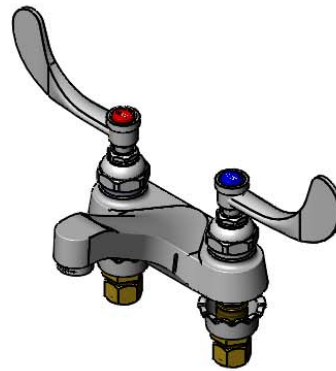
Job Name _____ Date _____

Model Specified _____ Quantity _____

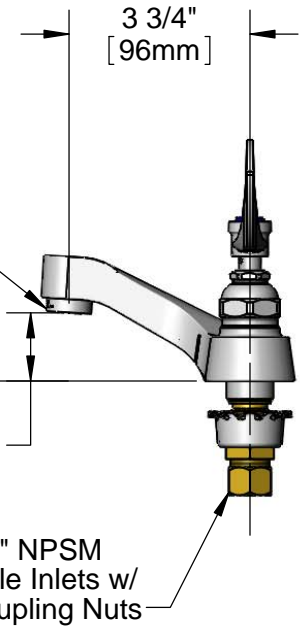
Customer/Wholesaler _____

Contractor _____

Architect/Engineer _____



0.5 GPM
Vandal Resistant
Non-Aerated
Spray Device



Rough-in Requirement:
(2) ϕ 1 1/8" [30mm] Mounting Holes

Product Specifications:

4" Centerset Deck Mounted Mixing Faucet, Quarter-Turn Eterna Cartridges, 4" Wrist Action Handles, Vandal Resistant Screws, 0.5 GPM Vandal Resistant Non-Aerated Spray Device & 1/2" NPSM Male Inlets w/ Coupling Nuts

Product Compliance:

ASME A112.18.1 / CSA B125.1
NSF 61 - Section 9
NSF 372 (Low Lead Content)
ANSI A117.1 (ADA)



T&S BRASS AND BRONZE WORKS, INC.

2 Saddleback Cove / P.O. Box 1088
Travelers Rest, SC 29690

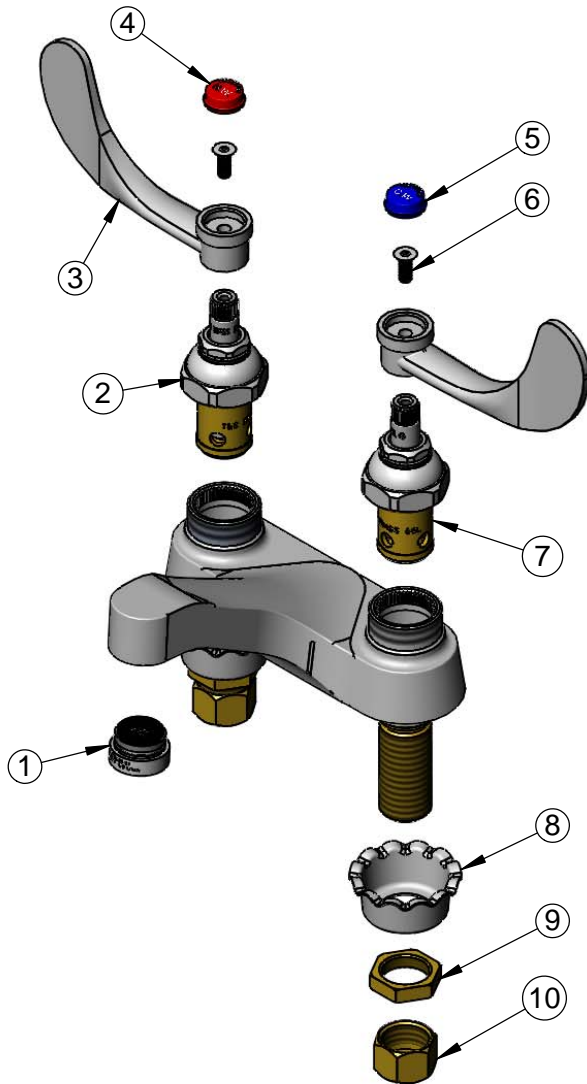
Model No.

B-0890-VF05-QT

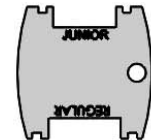
Item No.

Travelers Rest, SC: 800-476-4103 • Simi Valley, CA: 800-423-0150 • Fax: 864-834-3518 • www.tsbrass.com

ITEM NO.	SALES NO.	DESCRIPTION
1	B-0199-08-N05	0.5 GPM VR Spray Device, 13/16-27 Male
2	006010-40QT	Quarter-Turn Eterna Cartridge, RTC
3	B-WH4	4" Wrist Action Handle
4	001194-45	Red Index - HW
5	001686-45	Blue Index - CW
6	B-VRS	Pin-In-Socket Screw w/ Hex Key
7	006009-40QT	Quarter-Turn Eterna Cartridge, LTC
8	001000-45	Rosette Washer
9	002954-45	Shank Lock Nut
10	000958-20	Coupling Nut



010587-45
Vandal Resistant Hex Key



015425-45
Vandal Resistant Aerator Key

Product Specifications:

4" Centerset Deck Mounted Mixing Faucet, Quarter-Turn Eterna Cartridges, 4" Wrist Action Handles, Vandal Resistant Screws, 0.5 GPM Vandal Resistant Non-Aerated Spray Device & 1/2" NPSM Male Inlets w/ Coupling Nuts

Product Compliance:

ASME A112.18.1 / CSA B125.1
NSF 61 - Section 9
NSF 372 (Low Lead Content)
ANSI A117.1 (ADA)