



T&S BRASS AND BRONZE WORKS, INC.
 2 Saddleback Cove / P.O. Box 1088
 Travelers Rest, SC 29690

Model No.
B-0871-VRS-VF07

Item No.

Travelers Rest, SC: 800-476-4103 • Simi Valley, CA: 800-423-0150 • Fax: 864-834-3518 • www.tsbrass.com



ADA Compliant

This Space for Architect/Engineer Approval

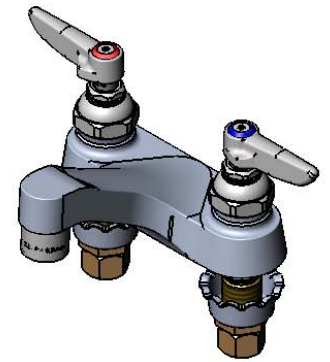
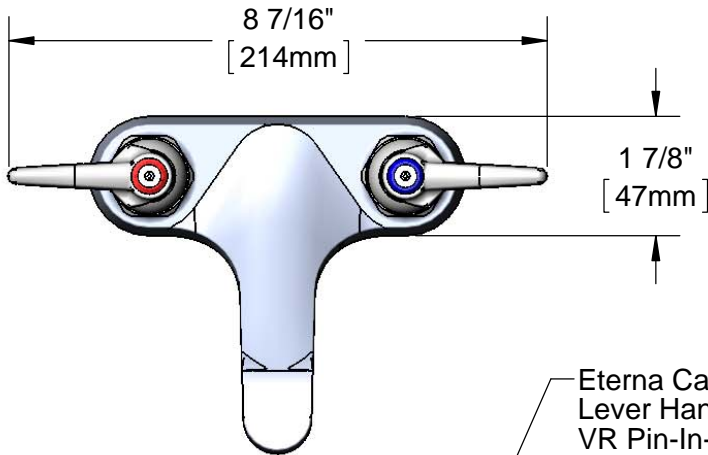
Job Name _____ Date _____

Model Specified _____ Quantity _____

Customer/Wholesaler _____

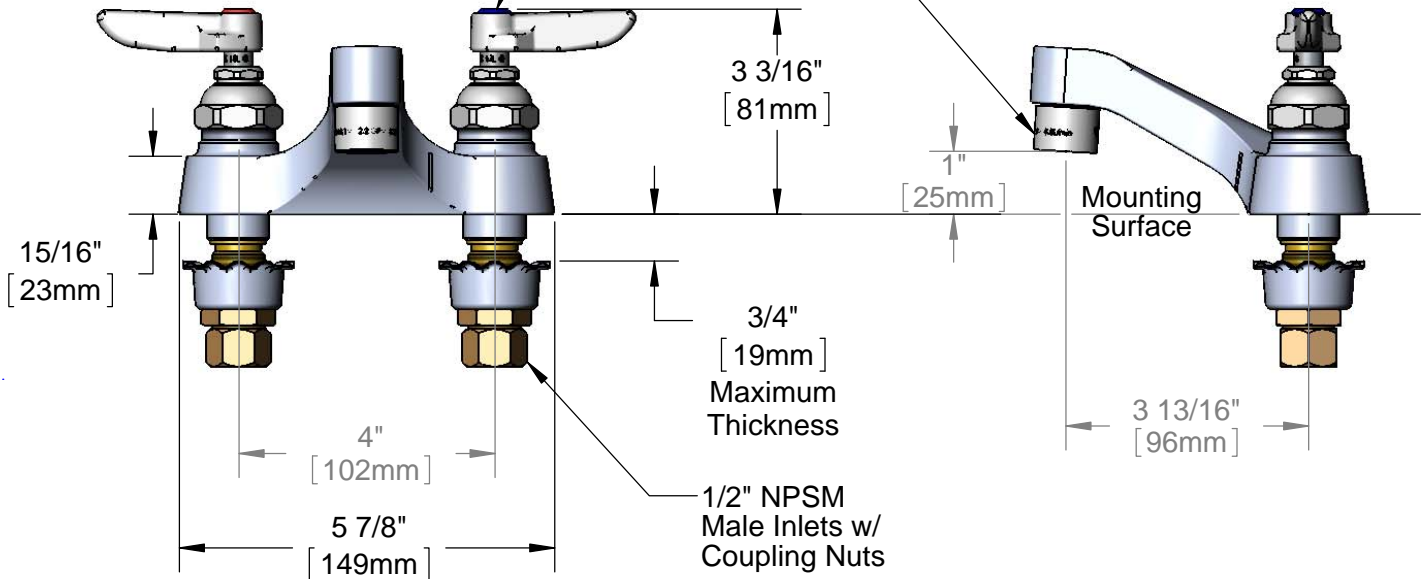
Contractor _____

Architect/Engineer _____



Eterna Cartridges &
 Lever Handles w/
 VR Pin-In-Socket
 Screws & Color Coded
 Indexes

B-0199-08F-07
 VR Aerator w/
 0.7 GPM
 Flow Control



Rough-In Requirement:
 (2) ϕ 1 1/8" [29mm] Mounting Holes

Product Specifications:
 4" Centerset Deck Mount Cast Spout Mixing Faucet, Eterna Cartridges, Lever Handles, VR Screws, VR Aerator w/ 0.7 GPM Flow Control & 1/2" NPSM Male Inlets w/ Coupling Nuts

Product Compliance:
 ASME A112.18.1 / CSA B125.1
 NSF 61 - Section 9
 NSF 372 (Low Lead Content)
 ANSI A117.1 (ADA)



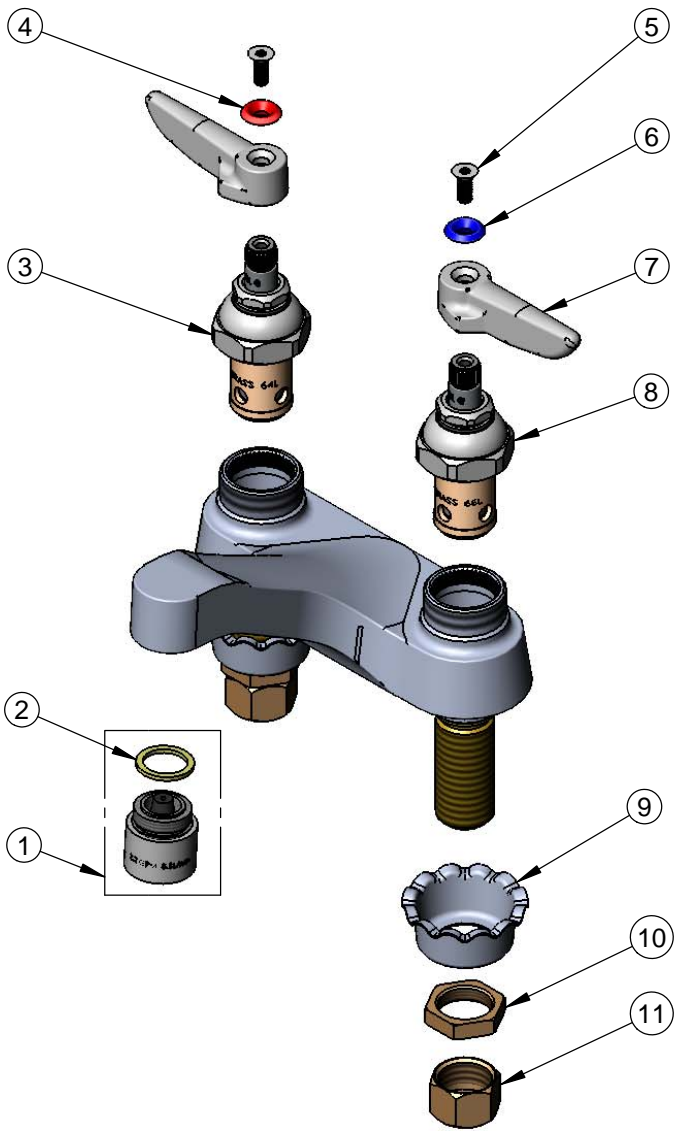
T&S BRASS AND BRONZE WORKS, INC.
 2 Saddleback Cove / P.O. Box 1088
 Travelers Rest, SC 29690

Model No.
B-0871-VRS-VF07

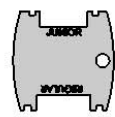
Item No.

Travelers Rest, SC: 800-476-4103 • Simi Valley, CA: 800-423-0150 • Fax: 864-834-3518 • www.tsbrass.com

ITEM NO.	SALES NO.	DESCRIPTION
1	B-0199-08F-07	VR Aerator w/ 0.7 GPM Flow Control, 13/16-27 UN w/ Key
2	001048-45	Nozzle Tip Washer
3	005960-40	Eterna Cartridge, RTC
4	001661-45	Red Index-HW
5	B-VRS	Pin-In-Socket Screw w/ Hex Key
6	001660-45	Blue Index-CW
7	001638-45	Lever Handle
8	005959-40	Eterna Cartridge, LTC
9	001000-45	Rosette Washer
10	002954-45	Shank Lock Nut
11	000958-20	Coupling Nut



010587-45
 Pin-In-Socket
 Hex Key
 (Included)



015425-45
 Vandal Resistant Key
 (Included)

Product Specifications:
 4" Centerset Deck Mount Cast Spout Mixing Faucet, Eterna Cartridges, Lever Handles, VR Screws, VR Aerator w/ 0.7 GPM Flow Control & 1/2" NPSM Male Inlets w/ Coupling Nuts

Product Compliance:
 ASME A112.18.1 / CSA B125.1
 NSF 61 - Section 9
 NSF 372 (Low Lead Content)
 ANSI A117.1 (ADA)