



T&S BRASS AND BRONZE WORKS, INC.

2 Saddleback Cove / P.O. Box 1088
Travelers Rest, SC 29690

Model No.

B-0866-L

Item No.

Travelers Rest, SC: 800-476-4103 • Simi Valley, CA: 800-423-0150 • Fax: 864-834-3518 • www.tsbrass.com

This Space for Architect/Engineer Approval

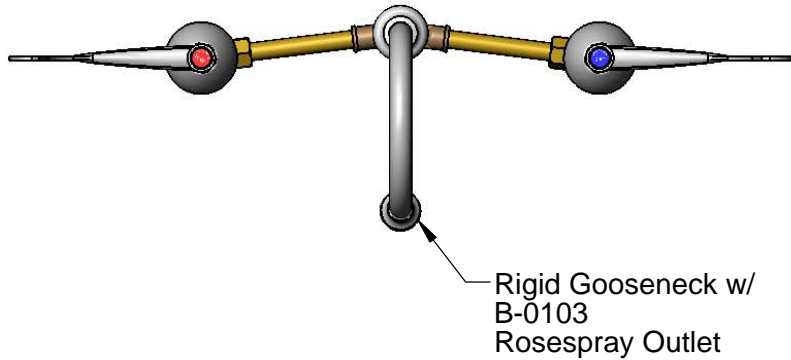
Job Name _____ Date _____

Model Specified _____ Quantity _____

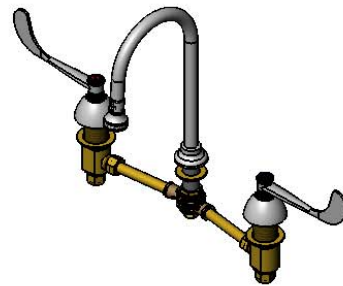
Customer/Wholesaler _____

Contractor _____

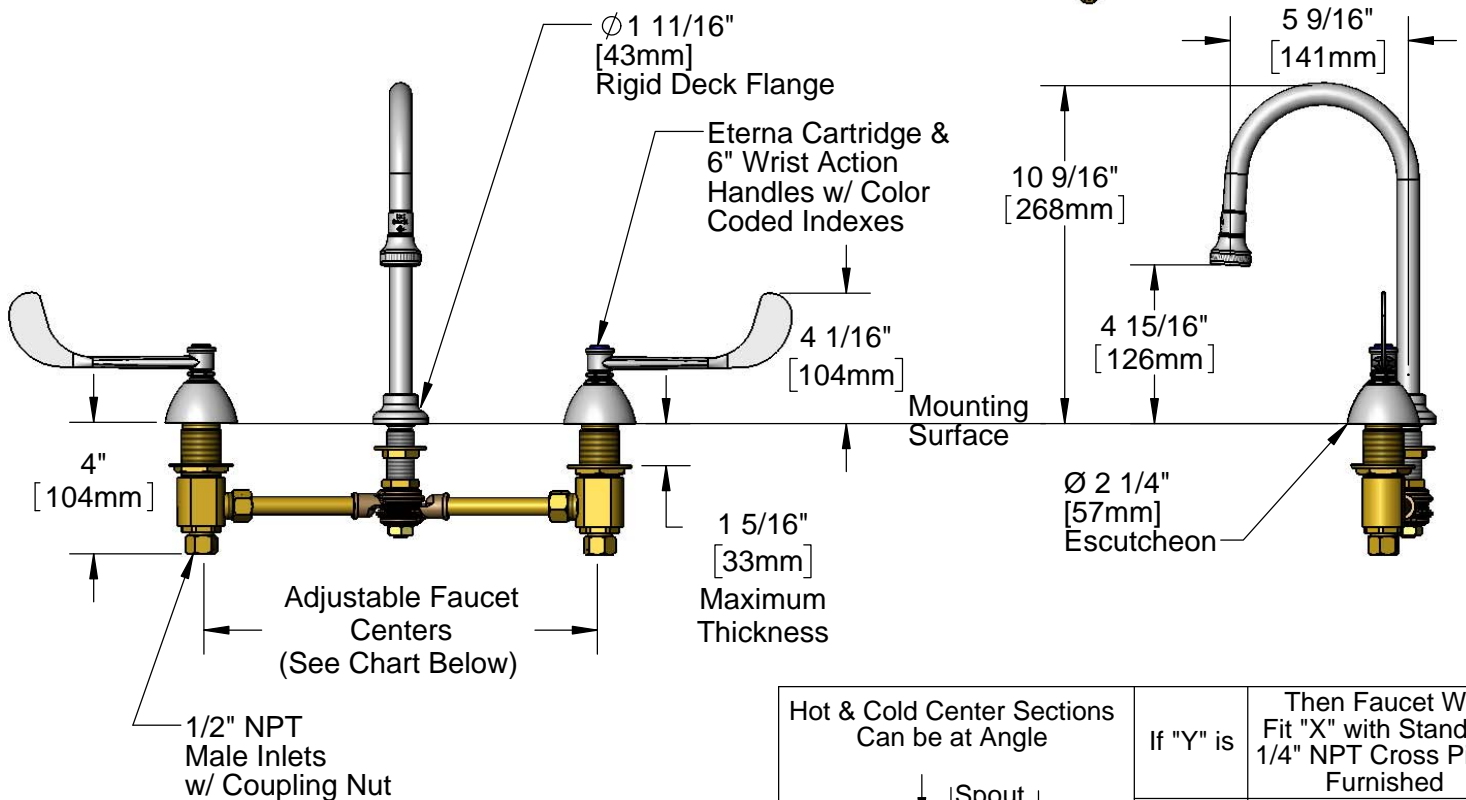
Architect/Engineer _____



Rigid Gooseneck w/
B-0103
Rosespray Outlet



ADA Compliant



Hot & Cold Center Sections Can be at Angle	If "Y" is	Then Faucet Will Fit "X" with Standard 1/4" NPT Cross Pipes Furnished
	1/2"	12"
	1"	11 3/4"
	1 1/2"	11 3/8"
	2"	11"

Rough-In Requirements:
 Center Shank: $\phi 1$ " [25mm] Mounting Hole
 Hot/Cold Bodies: $\phi 1 \frac{1}{2}$ " [38mm] Mounting Holes

Product Specifications:
 12" Adjustable Centers Deck Mount Mixing Faucet, Eterna Cartridges, 6" Wrist Action Handles, Rigid Gooseneck w/ Rosespray Outlet & 1/2" NPT Male Inlets w/ Coupling Nuts

Product Compliance:
 ASME A112.18.1 / CSA B125.1
 NSF 61 - Section 9
 NSF 372 (Low Lead Content)
 ANSI A117.1 (ADA)



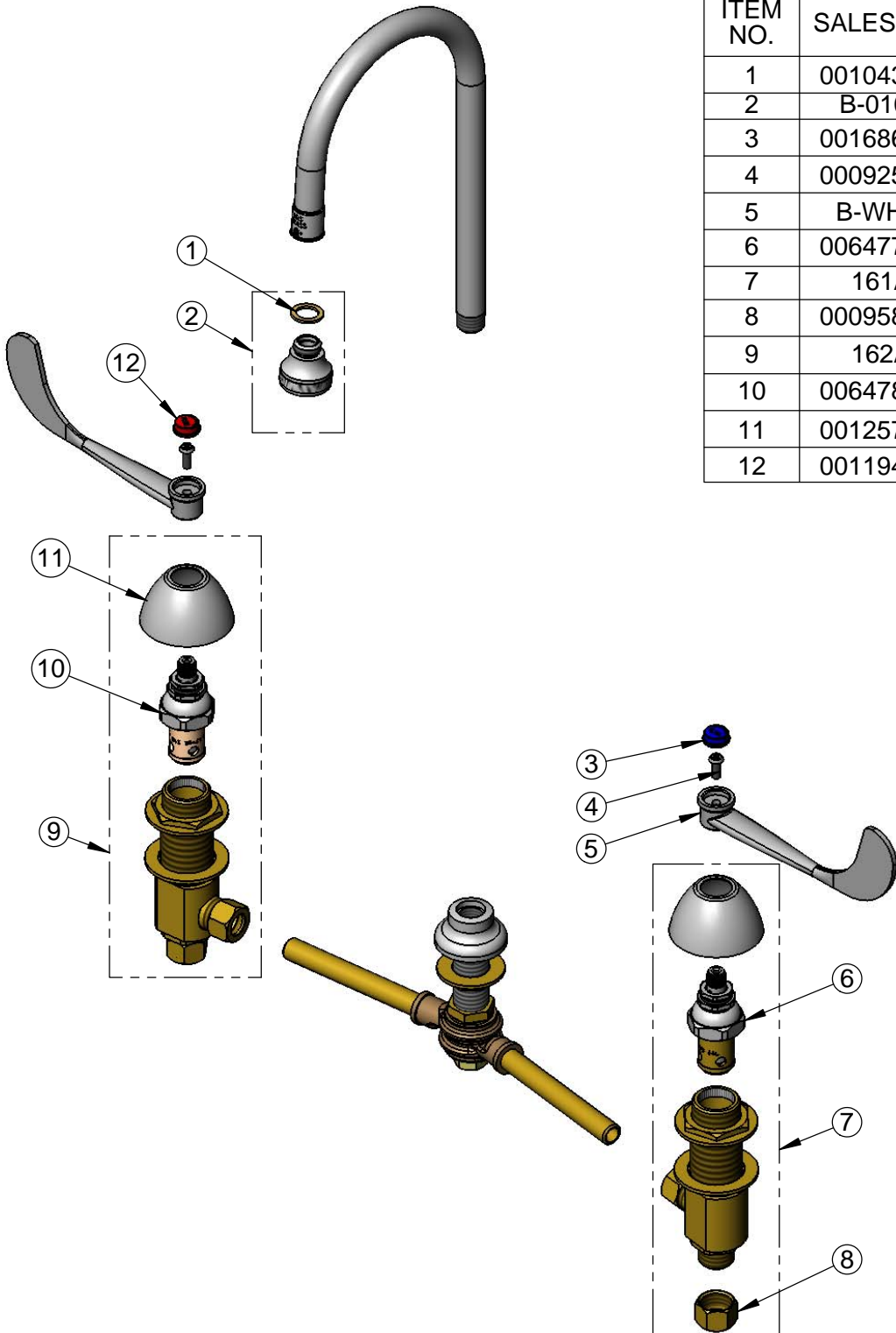
T&S BRASS AND BRONZE WORKS, INC.
 2 Saddleback Cove / P.O. Box 1088
 Travelers Rest, SC 29690

Model No.
B-0866-L

Item No.

Travelers Rest, SC: 800-476-4103 • Simi Valley, CA: 800-423-0150 • Fax: 864-834-3518 • www.tsbrass.com

ITEM NO.	SALES NO.	DESCRIPTION
1	001043-45	Washer
2	B-0103	Rosespray Outlet
3	001686-45	Blue Index - CW
4	000925-45	Lab Handle Screw
5	B-WH6	6" Wrist Action Handle
6	006477-40	Eterna Cartridge - LTC
7	161A	B-0850 Side Body - Cold
8	000958-20	Coupling Nut
9	162A	B-0850 Side Body - Hot
10	006478-40	Eterna Cartridge - RTC
11	001257-40	Bell Escutcheon
12	001194-45	Red Index - HW



Product Specifications:
 12" Adjustable Centers Deck Mount Mixing Faucet, Eterna Cartridges, 6" Wrist Action Handles, Rigid Gooseneck w/ Rosespray Outlet & 1/2" NPT Male Inlets w/ Coupling Nuts

Product Compliance:
 ASME A112.18.1 / CSA B125.1
 NSF 61 - Section 9
 NSF 372 (Low Lead Content)
 ANSI A117.1 (ADA)