



**T&S BRASS AND BRONZE WORKS, INC.**  
 2 Saddleback Cove / P.O. Box 1088  
 Travelers Rest, SC 29690

Model No.  
**B-0810-RGH**

Item No.

Travelers Rest, SC: 800-476-4103 • Simi Valley, CA: 800-423-0150 • Fax: 864-834-3518 • www.tsbrass.com



**ADA Compliant**

This Space for Architect/Engineer Approval

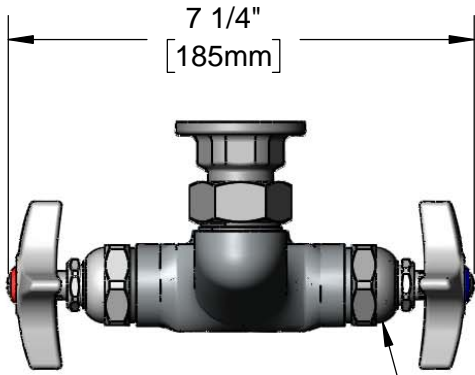
Job Name \_\_\_\_\_ Date \_\_\_\_\_

Model Specified \_\_\_\_\_ Quantity \_\_\_\_\_

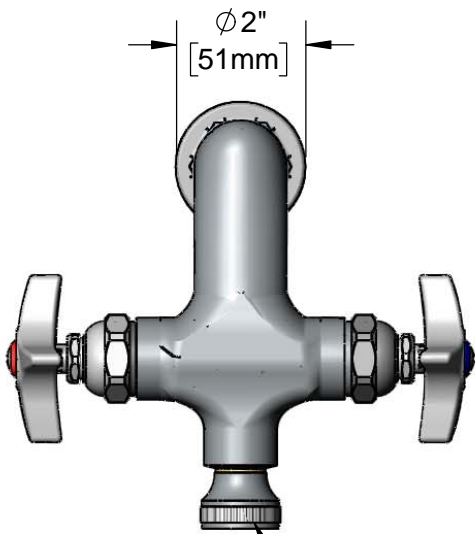
Customer/Wholesaler \_\_\_\_\_

Contractor \_\_\_\_\_

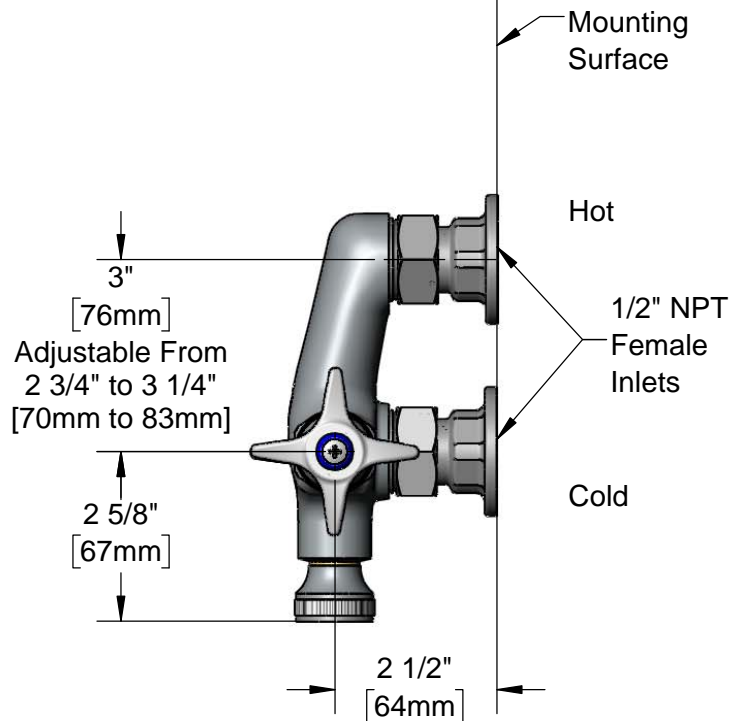
Architect/Engineer \_\_\_\_\_



Eterna Cartridge w/  
 4-Arm Handles and  
 Color Coded Indexes



Rosespray Outlet



Product Specifications:  
 Wall Mount Vertical Mixing Faucet w/ Eterna Cartridges, Rosespray  
 Outlet, 4-Arm Handles and 1/2" NPT Female Inlets

Product Compliance:  
 ASME A112.18.1 / CSA B125.1  
 NSF 61 - Section 9  
 NSF 372 (Low Lead Content)  
 ANSI A117.1 (ADA)



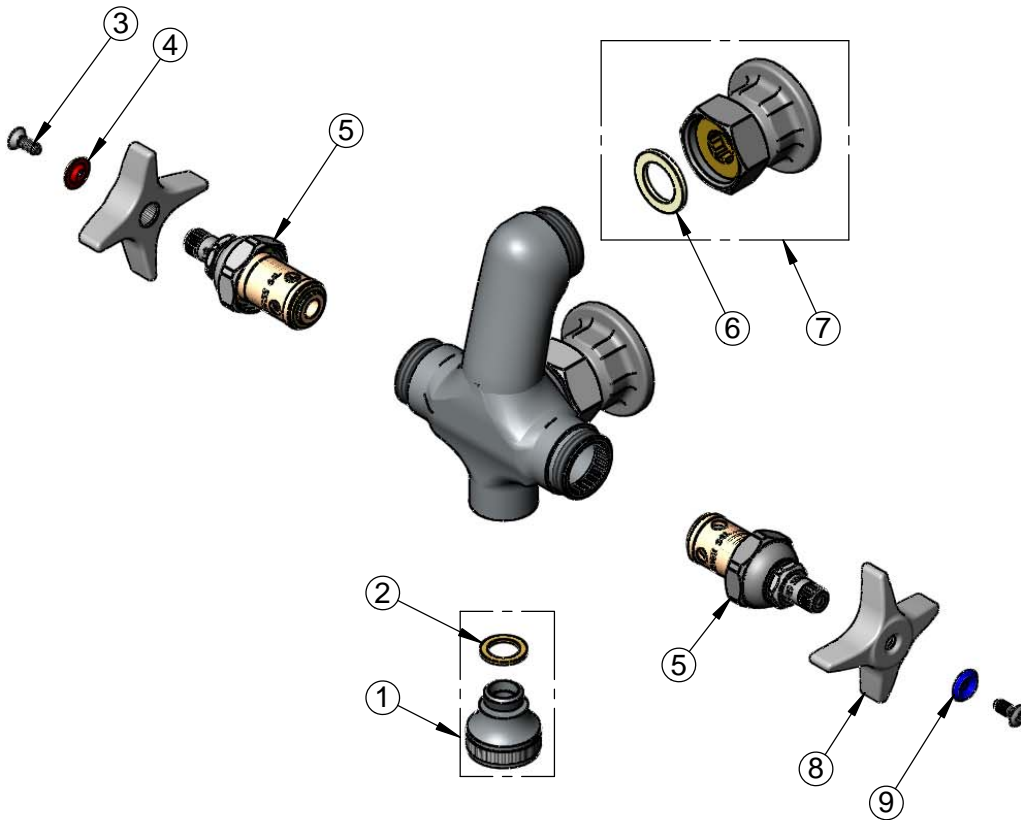
**T&S BRASS AND BRONZE WORKS, INC.**  
 2 Saddleback Cove / P.O. Box 1088  
 Travelers Rest, SC 29690

Model No.  
**B-0810-RGH**

Item No.

Travelers Rest, SC: 800-476-4103 • Simi Valley, CA: 800-423-0150 • Fax: 864-834-3518 • www.tsbrass.com

ITEM NO.	SALES NO.	DESCRIPTION
1	B-0103	Rosespray Outlet
2	001043-45	Washer
3	000922-45	Lever Handle Screw
4	001661-45	Red Index-HW
5	005960-40	Eterna Cartridge, RTC
6	001019-45	Coupling Nut Washer
7	00AA	1/2" Female Eccentric Flange
8	002521-45	4-Arm Handle
9	001660-45	Blue Index-CW



Product Specifications:  
 Wall Mount Vertical Mixing Faucet w/ Eterna Cartridges, Rosespray Outlet, 4-Arm Handles and 1/2" NPT Female Inlets

Product Compliance:  
 ASME A112.18.1 / CSA B125.1  
 NSF 61 - Section 9  
 NSF 372 (Low Lead Content)  
 ANSI A117.1 (ADA)