



T&S BRASS AND BRONZE WORKS, INC.

2 Saddleback Cove / P.O. Box 1088
Travelers Rest, SC 29690

Model No.

B-0736

Item No.

Travelers Rest, SC: 800-476-4103 • Simi Valley, CA: 800-423-0150 • Fax: 864-834-3518 • www.tsbrass.com

This Space for Architect/Engineer Approval

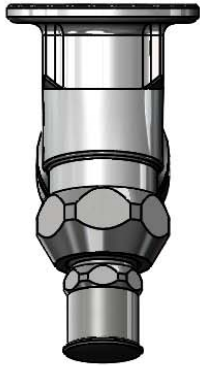
Job Name _____ Date _____

Model Specified _____ Quantity _____

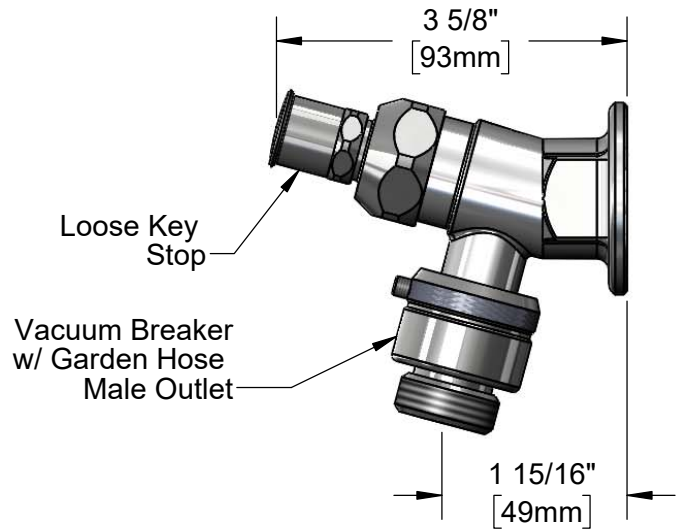
Customer/Wholesaler _____

Contractor _____

Architect/Engineer _____



Ø 2" [51mm]
Flanges w/
1/2" NPT
Female Inlet



Product Specifications:

Single Hole Single Temperature Wall Mount Sill Faucet, Loose Key Stop, Vacuum Breaker w/ Garden Hose Male Outlet, Rough Chrome Finish & 1/2" NPT Female Inlet

Product Compliance:

ASME A112.18.1 / CSA B125.1
NSF 61 - Section 9
NSF 372 (Low Lead Content)
ASSE 1011 (VB)



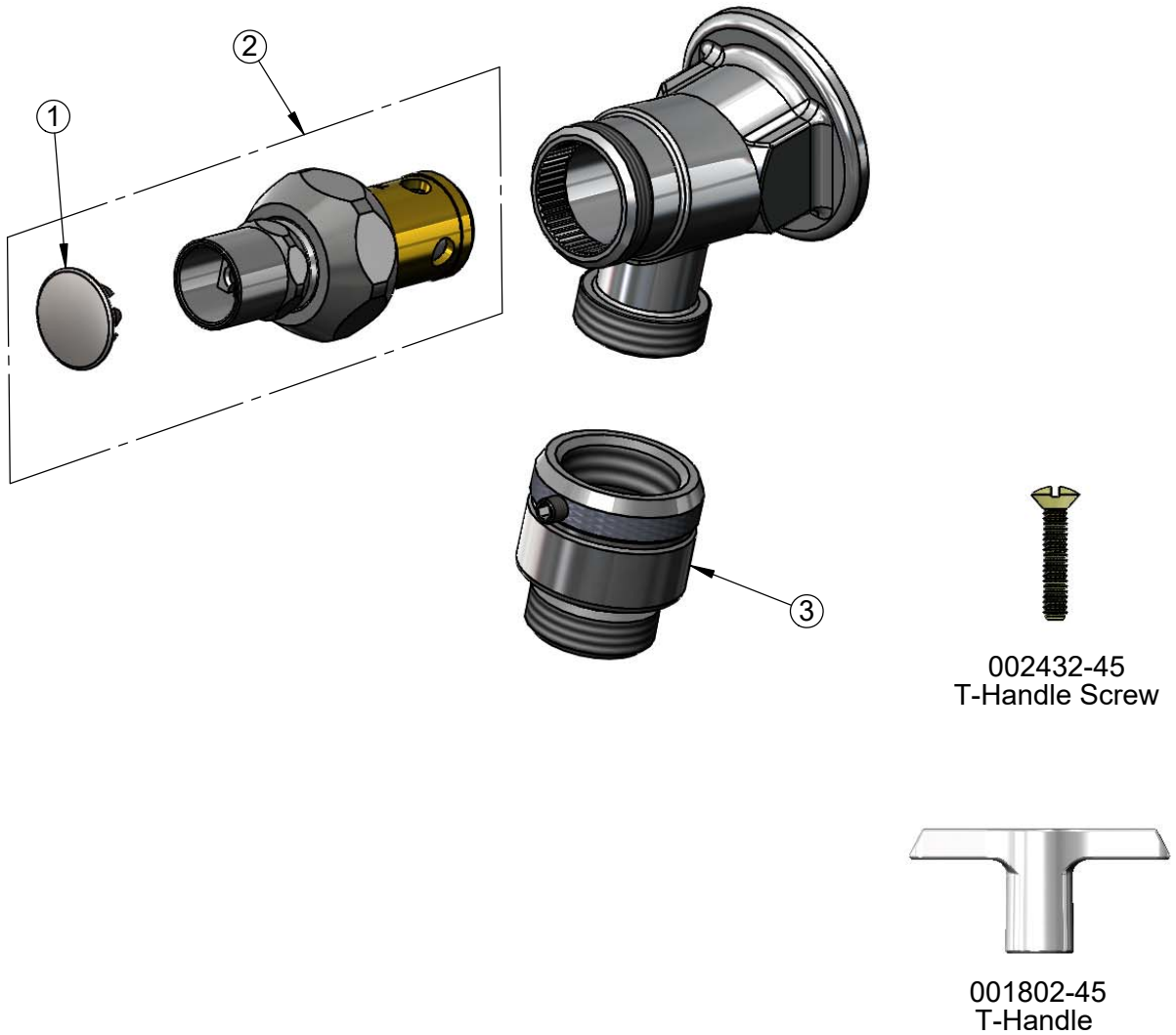
T&S BRASS AND BRONZE WORKS, INC.
 2 Saddleback Cove / P.O. Box 1088
 Travelers Rest, SC 29690

Model No.
B-0736

Item No.

Travelers Rest, SC: 800-476-4103 • Simi Valley, CA: 800-423-0150 • Fax: 864-834-3518 • www.tsbrass.com

ITEM NO.	SALES NO.	DESCRIPTION
1	001605-45	Cap
2	124A	Loose Key Cartridge, RTC w/ T-Handle, Screw & Cap
3	B-0972	Vacuum Breaker, 3/4" Garden Hose Male Outlet



Product Specifications:
 Single Hole Single Temperature Wall Mount Sill Faucet, Loose Key Stop,
 Vacuum Breaker w/ Garden Hose Male Outlet, Rough Chrome Finish
 & 1/2" NPT Female Inlet

Product Compliance:
 ASME A112.18.1 / CSA B125.1
 NSF 61 - Section 9
 NSF 372 (Low Lead Content)
 ASSE 1011 (VB)