



# T&S BRASS AND BRONZE WORKS, INC.

2 Saddleback Cove / P.O. Box 1088  
Travelers Rest, SC 29690

Model No.

**B-0682-ST**

Item No.

Travelers Rest, SC: 800-476-4103 • Simi Valley, CA: 800-423-0150 • Fax: 864-834-3518 • www.tsbrass.com

This Space for Architect/Engineer Approval

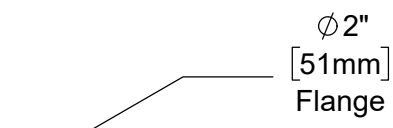
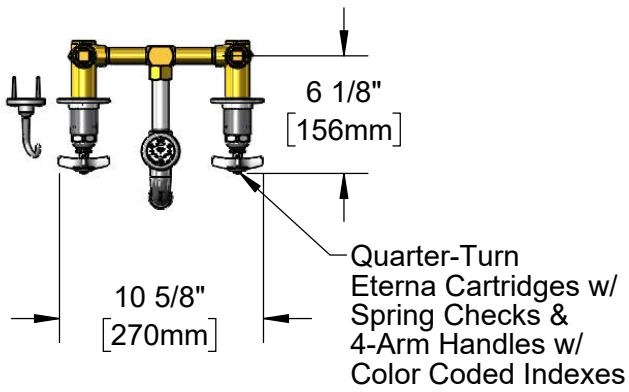
Job Name \_\_\_\_\_ Date \_\_\_\_\_

Model Specified \_\_\_\_\_ Quantity \_\_\_\_\_

Customer/Wholesaler \_\_\_\_\_

Contractor \_\_\_\_\_

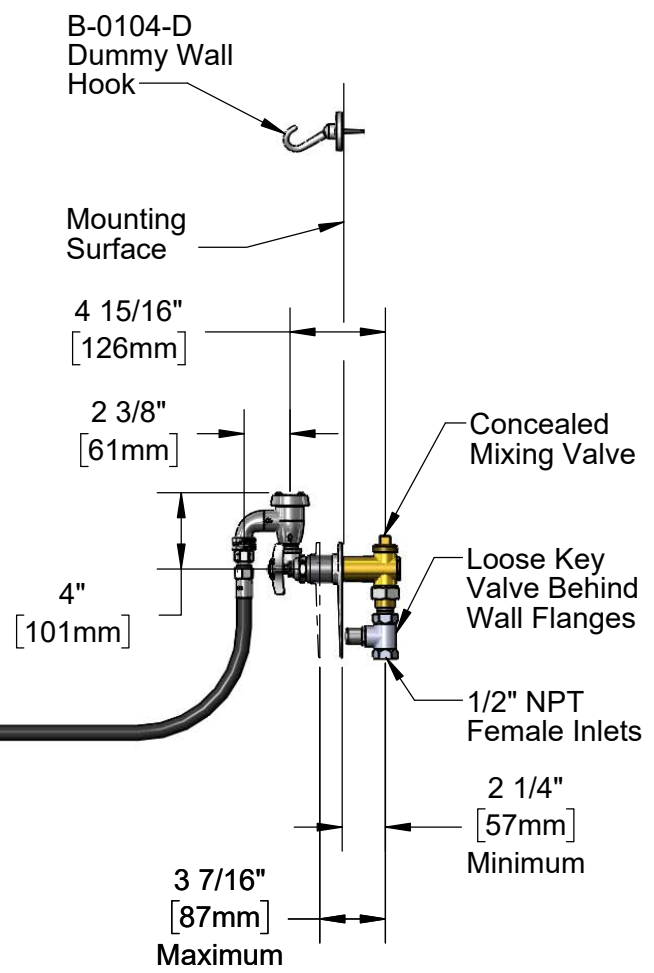
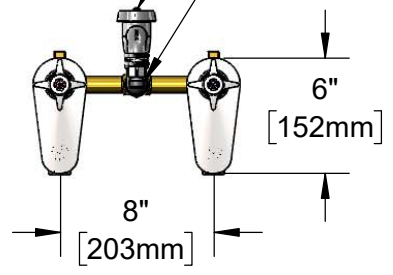
Architect/Engineer \_\_\_\_\_



B-0068-R  
68" Reinforced PVC  
Hose & Spray Valve  
w/ Extended Nozzle

B-0969  
Vacuum Breaker

Items Not Shown  
for Clarity



Rough-In Requirement:  
(2) Ø 1 1/2" [38mm] Mounting Holes

Product Specifications:  
Bedpan Washer, 8" Concealed Bypass Mixing Valve, Quarter-Turn Eterna Cartridges w/ Spring Checks, 4-Arm Handles, Vacuum Breaker, 68" Reinforced PVC Hose, Spray Valve w/ Extended Nozzle, Dummy Wall Hook, Loose Key Stops & 1/2" NPT Female Inlets

Product Compliance:  
ASME A112.18.1 / CSA B125.1  
NSF 61 - Section 9  
NSF 372 (Low Lead Content)  
ASSE 1001 (VB)



# T&S BRASS AND BRONZE WORKS, INC.

2 Saddleback Cove / P.O. Box 1088  
Travelers Rest, SC 29690

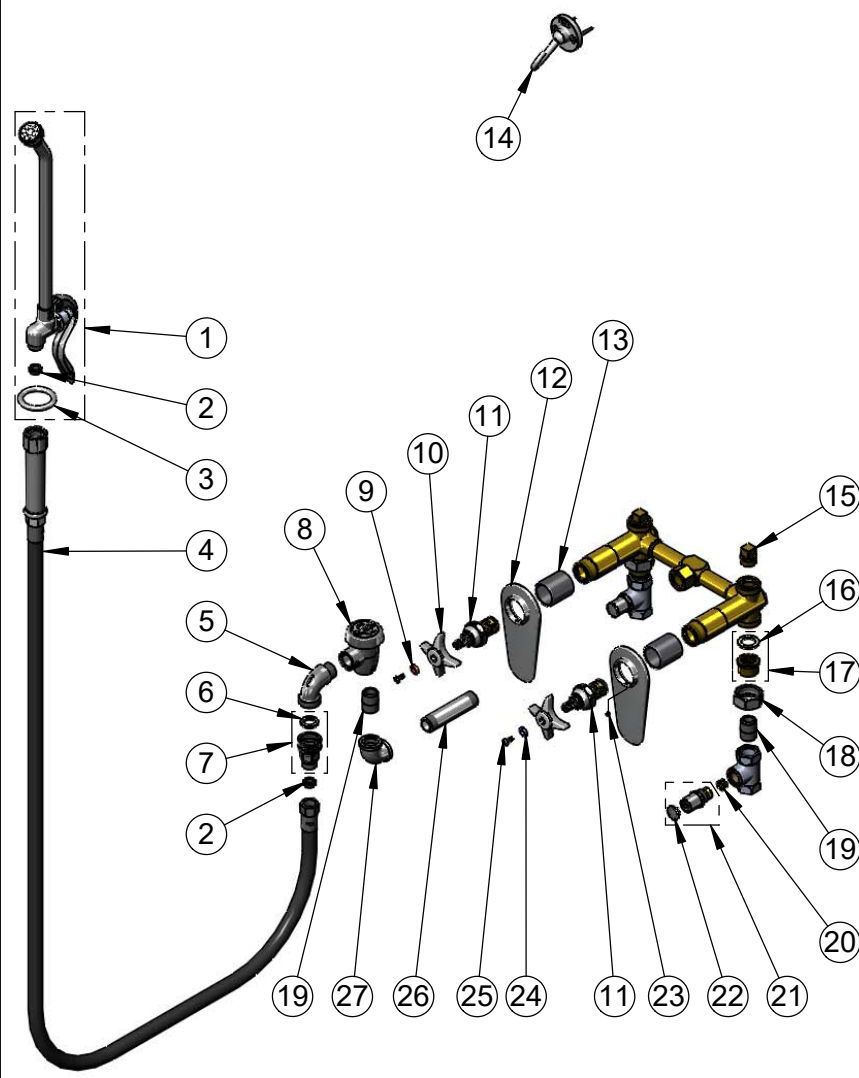
Model No.

**B-0682-ST**

Item No.

Travelers Rest, SC: 800-476-4103 • Simi Valley, CA: 800-423-0150 • Fax: 864-834-3518 • www.tsbrass.com

	ITEM NO.	SALES NO.	DESCRIPTION
		1	002865-40
	2	010476-45	#27 Washer
	3	000907-45	Spray Valve Hold Down Ring
	4	B-0068-R	68" Reinforced PVC Hose
	5	001618-40	Spout, Short
	6	001019-45	Coupling Nut Washer
	7	059A	Adapter, Garden Hose
	8	B-0969	1/2" NPT Vacuum Breaker
	9	001661-45	Red Index-HW
	10	002521-45	4-Arm Handle
	11	012443-40	Quarter-Turn Eterna Cartridge w/ Spring Check, RTC
	12	002820-40	Escutcheon, Tear Drop
	13	151F	Escutcheon Tube
	14	B-0104	Dummy Wall Hook
	15	001347-20	1/2" NPT Square Head Plug
	16	001019-45	Coupling Nut Washer
	17	153F	Union Half, 1/2 NPT w/ Washer
	18	000721-25	Flange Coupling Nut
	19	002534-25	Close Nipple, 1/2" NPT
	20	000763-20	Seat
	21	002892-40	Service Stop Spindle w/ Cap
	22	001605-45	Cap
	23	000939-45	Escutcheon, Set Screw
	24	001660-45	Blue Index-CW
	25	000922-45	Lever Handle Screw
	26	002556-40	Nipple, 1/2" NPT x 3 1/2"
	27	001357-40	Cast Elbow, 1/2"



**Product Specifications:**

Bedpan Washer, 8" Concealed Bypass Mixing Valve, Quarter-Turn Eterna Cartridges w/ Spring Checks, 4-Arm Handles, Vacuum Breaker, 68" Reinforced PVC Hose, Spray Valve w/ Extended Nozzle, Dummy Wall Hook, Loose Key Stops & 1/2" NPT Female Inlets

**Product Compliance:**

ASME A112.18.1 / CSA B125.1  
NSF 61 - Section 9  
NSF 372 (Low Lead Content)  
ASSE 1001 (VB)