



# T&S BRASS AND BRONZE WORKS, INC.

2 Saddleback Cove / P.O. Box 1088  
Travelers Rest, SC 29690

Model No.

**B-0678-01**

Item No.

Travelers Rest, SC: 800-476-4103 • Simi Valley, CA: 800-423-0150 • Fax: 864-834-3518 • www.tsbrass.com

This Space for Architect/Engineer Approval

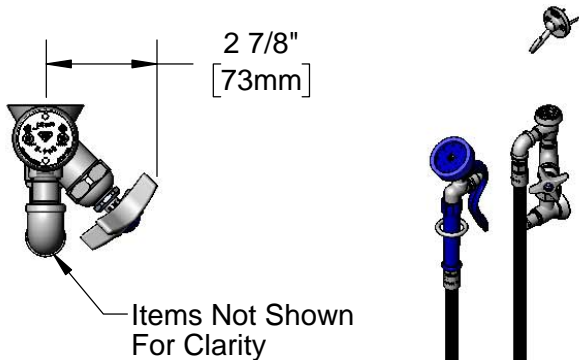
Job Name \_\_\_\_\_ Date \_\_\_\_\_

Model Specified \_\_\_\_\_ Quantity \_\_\_\_\_

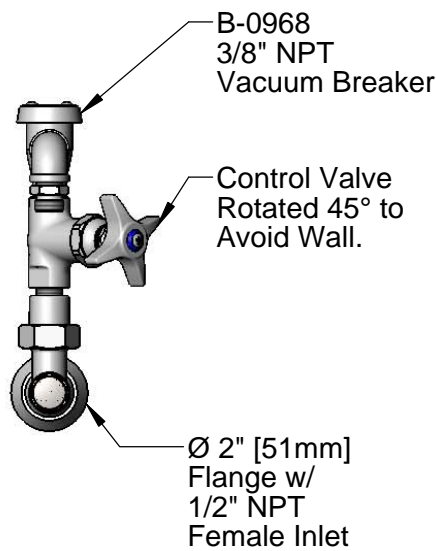
Customer/Wholesaler \_\_\_\_\_

Contractor \_\_\_\_\_

Architect/Engineer \_\_\_\_\_

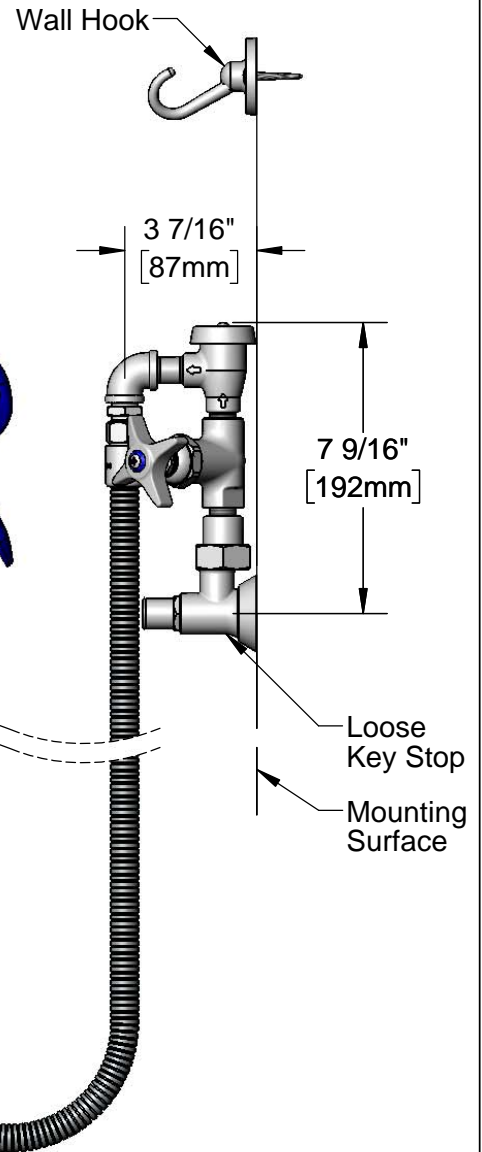


Items Not Shown  
For Clarity



B-0107-035  
High Flow Angled  
Spray Valve

1200mm  
Flexible  
Stainless  
Steel Hose



### Product Specifications:

Bed Pan Washer, 1200mm Flexible Stainless Steel Hose w/ High Flow Angled Spray Valve, Loose Key Angle Stop, 3/8" NPT Vacuum Breaker, Wall Hook, 4-Arm Handle and 1/2" NPT Inlets

### Product Compliance:

ASME A112.18.1 / CSA B125.1  
NSF 61 Exempt (Non-Potable)  
ASSE 1001 (VB)  
EPA Act 2005 Non-Compliant (PRSV)



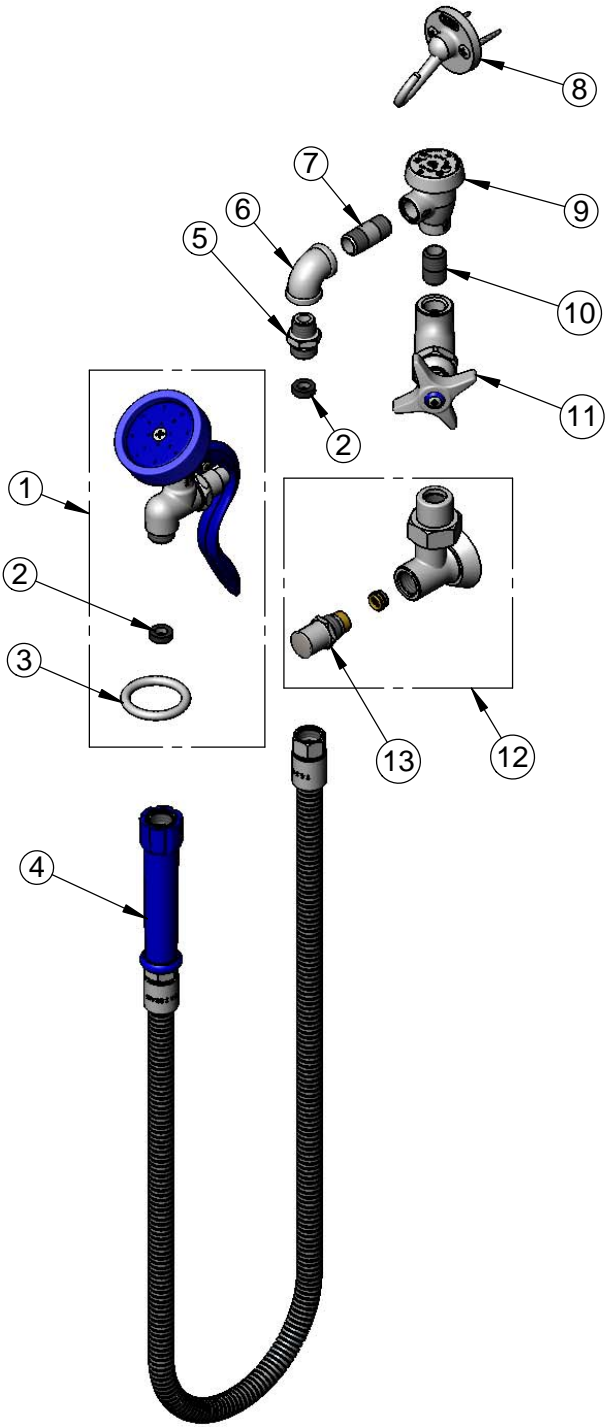
**T&S BRASS AND BRONZE WORKS, INC.**  
 2 Saddleback Cove / P.O. Box 1088  
 Travelers Rest, SC 29690

Model No.  
**B-0678-01**

Item No.

Travelers Rest, SC: 800-476-4103 • Simi Valley, CA: 800-423-0150 • Fax: 864-834-3518 • www.tsbrass.com

ITEM NO.	SALES NO.	DESCRIPTION
1	EB-0107-035	High Flow Angled Spray Valve
2	010476-45	#27 Washer
3	000907-45	Spray Valve Hold Down Ring
4	EB-0120-CMH	1200mm Flexible Stainless Steel Hose w/ Blue Handle
5	053A	Adapter, 3/8" NPT Male
6	001355-40	Elbow, 3/8 NPT
7	002341-40	Nipple, 3/8" NPT x 1 1/2"
8	B-0104-D	Dummy Wall Hook Bracket
9	B-0968	3/8" NPT Vacuum Breaker
10	002535-25	3/8" Close Nipple
11	007010-40	Straight Stop Assembly w/ 4-Arm & Blue Index
12	B-1351	Loose Key 1/2" NPT Angle Stop w/ Tee Handle & Screw
13	166A	Service Stop Spindle w/ Cap, Handle & Screw



Product Specifications:  
 Bed Pan Washer, 1200mm Flexible Stainless Steel Hose w/ High Flow Angled Spray Valve, Loose Key Angle Stop, 3/8" NPT Vacuum Breaker, Wall Hook, 4-Arm Handle and 1/2" NPT Inlets

Product Compliance:  
 ASME A112.18.1 / CSA B125.1  
 NSF 61 Exempt (Non-Potable)  
 ASSE 1001 (VB)  
 EPA Act 2005 Non-Compliant (PRSV)