



**T&S BRASS AND BRONZE WORKS, INC.**  
 2 Saddleback Cove / P.O. Box 1088  
 Travelers Rest, SC 29690

Model No.  
**B-0522-F SERIES**

Item No.

Travelers Rest, SC: 800-476-4103 • Simi Valley, CA: 800-423-0150 • Fax: 864-834-3518 • www.tsbrass.com

This Space for Architect/Engineer Approval

Job Name \_\_\_\_\_ Date \_\_\_\_\_

Model Specified \_\_\_\_\_ Quantity \_\_\_\_\_

Customer/Wholesaler \_\_\_\_\_

Contractor \_\_\_\_\_

Architect/Engineer \_\_\_\_\_

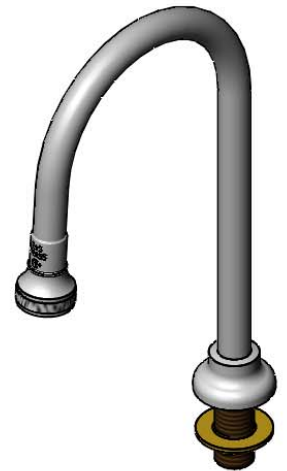
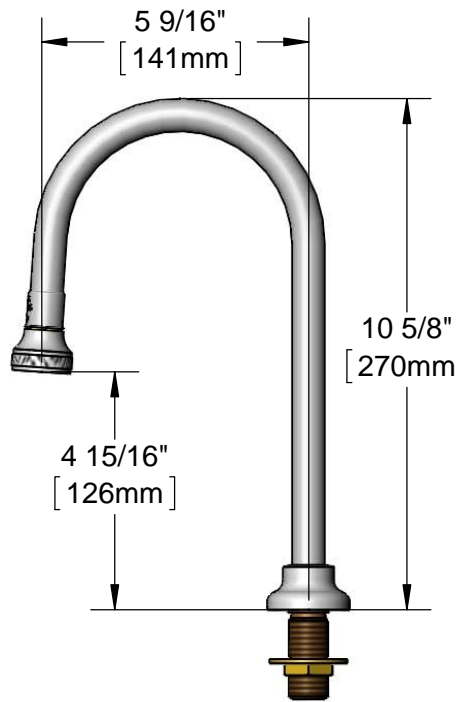


Rosespray Outlet  
 B-0103-01

Flow Control  
 Tower in Shank.  
 Specify Desired  
 Flow From Chart.

1 7/8"  
 [47mm]

1"  
 [26mm]  
 Maximum  
 Thickness



150A  
 Tailpiece & Nut  
 Furnished for  
 Optional 1/4" NPT  
 Connection

MODEL NO.	FLOW (GPM ±15%)
B-0522-F03	.25
B-0522-F05	0.4
B-0522-F07	0.7
B-0522-F10	0.9
B-0522-F12	1.2
B-0522-F15	1.4
B-0522-F20	2.0

Product Specifications:  
 Rigid Deck Mount Dummy Gooseneck w/ Rosespray Outlet  
 and Flow Control Option

Product Compliance:  
 ASME A112.18.1 / CSA B125.1  
 NSF 61 - Section 9  
 NSF 372 (Low Lead Content)



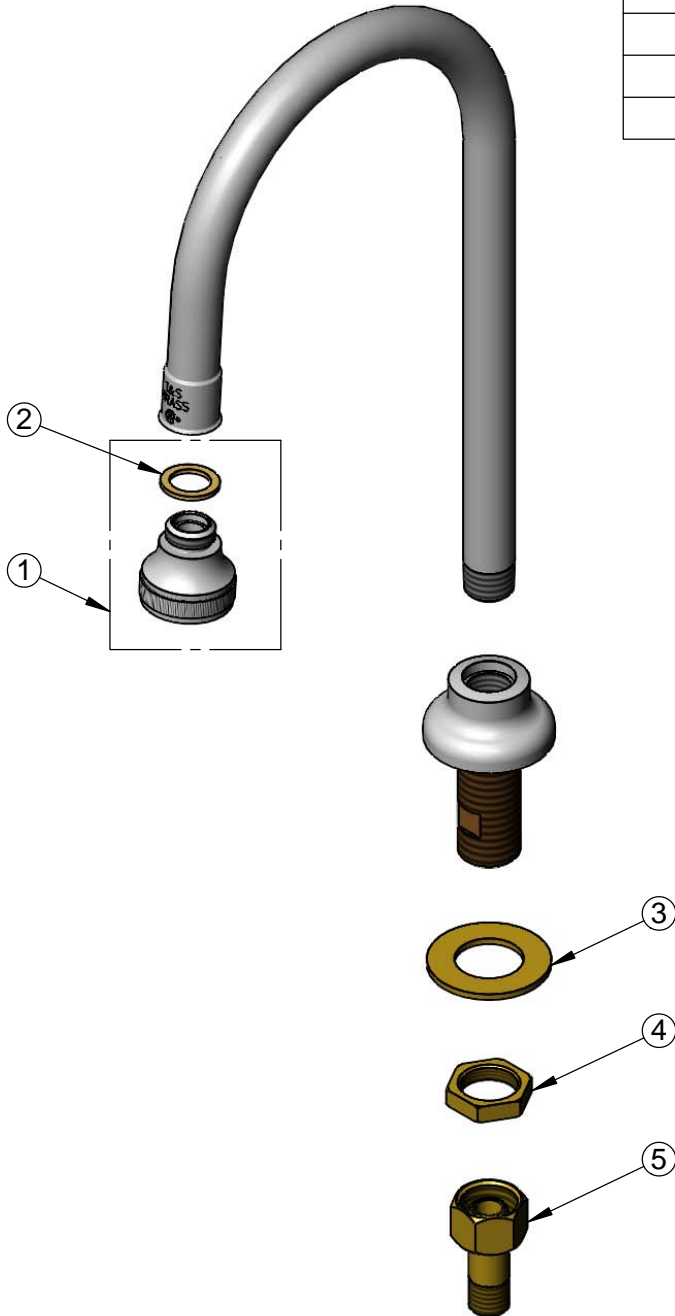
**T&S BRASS AND BRONZE WORKS, INC.**  
 2 Saddleback Cove / P.O. Box 1088  
 Travelers Rest, SC 29690

Model No.  
**B-0522-F SERIES**

Item No.

Travelers Rest, SC: 800-476-4103 • Simi Valley, CA: 800-423-0150 • Fax: 864-834-3518 • www.tsbrass.com

ITEM NO.	SALES NO.	DESCRIPTION
1	B-0103-01	Rosespray Outlet
2	001043-45	Washer
3	000999-45	Brass Lock Washer
4	002954-45	Shank Lock Nut
5	150A	1/4" NPT Tailpiece & Nut



Product Specifications:  
 Rigid Deck Mount Dummy Gooseneck w/ Rosespray Outlet  
 and Flow Control Option

Product Compliance:  
 ASME A112.18.1 / CSA B125.1  
 NSF 61 - Section 9  
 NSF 372 (Low Lead Content)