



T&S BRASS AND BRONZE WORKS, INC.

2 Saddleback Cove / P.O. Box 1088
Travelers Rest, SC 29690

Model No.

B-0342

Item No.

Travelers Rest, SC: 800-476-4103 • Simi Valley, CA: 800-423-0150 • Fax: 864-834-3518 • www.tsbrass.com



ADA Compliant

This Space for Architect/Engineer Approval

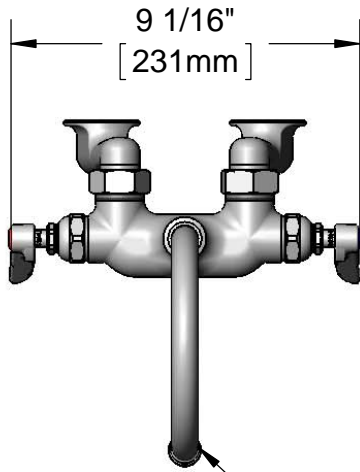
Job Name _____ Date _____

Model Specified _____ Quantity _____

Customer/Wholesaler _____

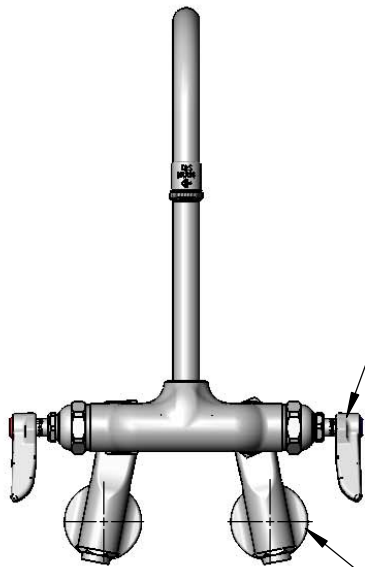
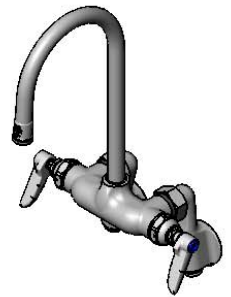
Contractor _____

Architect/Engineer _____



9 1/16"
[231mm]

120X
Rigid Gooseneck
w/ Stream Regulator
Outlet

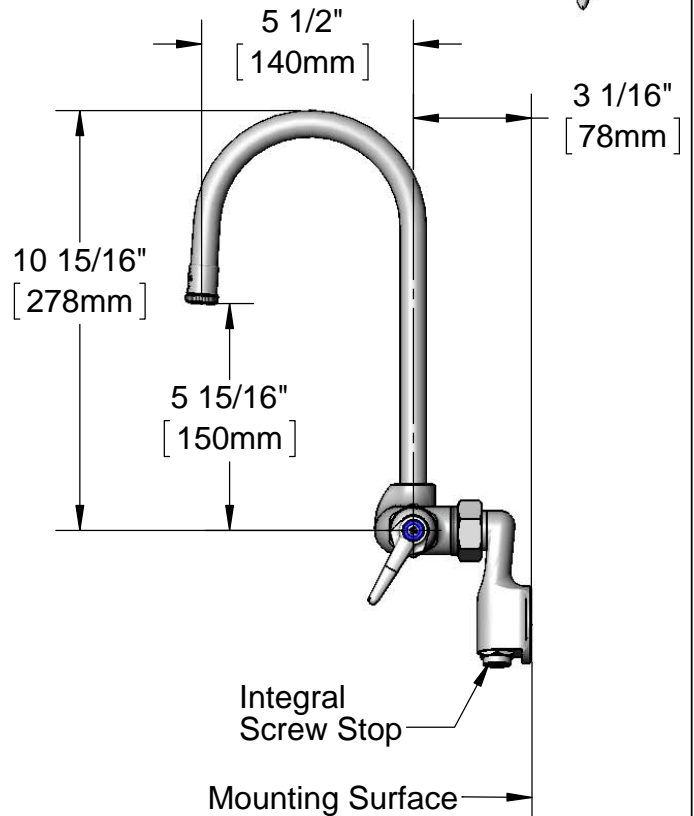


Eterna Cartridges &
Lever Handles w/
Color Coded Indexes

Adjustable
from
2 1/4" to 8 1/4"
[57mm to 210mm]

Above or Below Centerline

Ø 2" [51mm]
Flanges w/
1/2" NPT
Female Inlets



Product Specifications:

Wall Mount Mixing Faucet, Eterna Cartridges, Lever Handles, Rigid Gooseneck w/ Stream Regulator Outlet & 1/2" NPT Female Adjustable Inlets w/ Service Stops

Product Compliance:

ASME A112.18.1 / CSA B125.1
NSF 61 - Section 9
NSF 372 (Low Lead Content)
ANSI A117.1 (ADA)



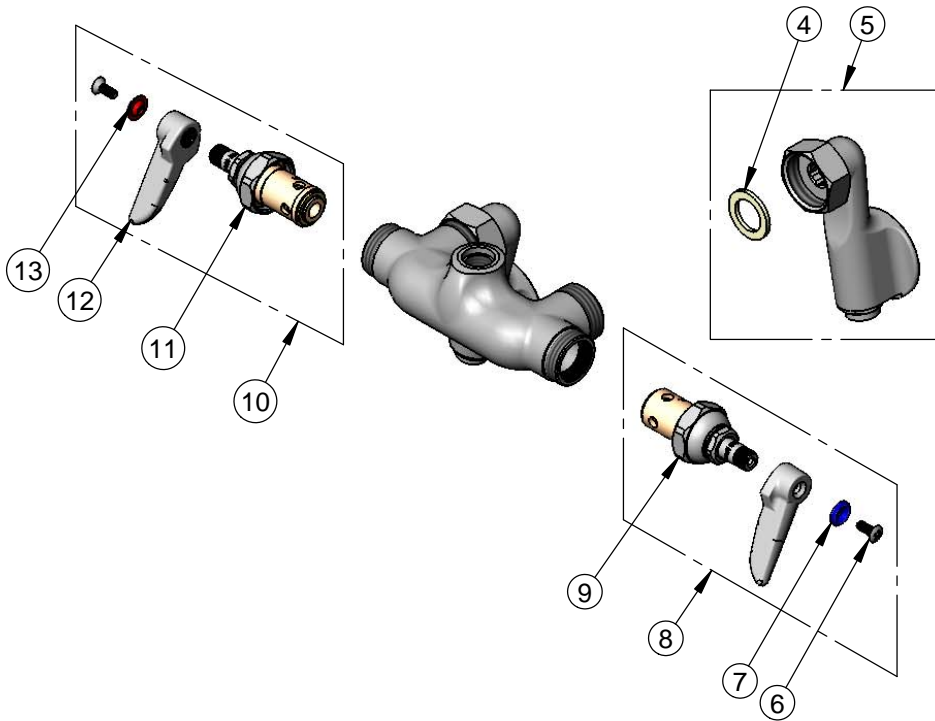
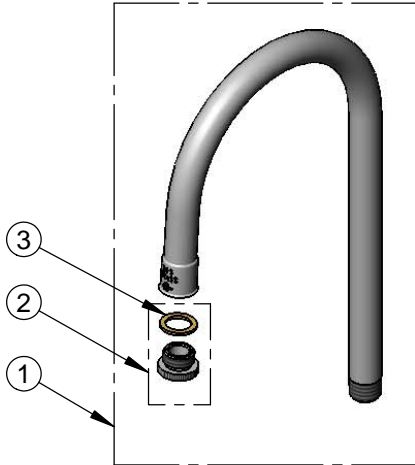
T&S BRASS AND BRONZE WORKS, INC.
 2 Saddleback Cove / P.O. Box 1088
 Travelers Rest, SC 29690

Model No.
B-0342

Item No.

Travelers Rest, SC: 800-476-4103 • Simi Valley, CA: 800-423-0150 • Fax: 864-834-3518 • www.tsbrass.com

ITEM NO.	SALES NO.	DESCRIPTION
2	B-LT	Stream Regulator Outlet
1	120X	Rigid Gooseneck
3	001043-45	Washer
4	001019-45	Coupling Nut Washer
5	00XX	1/2" NPT Female Adjustable Arm Inlet Flange w/ Screwdriver Stop
6	000922-45	Lever Handle Screw
7	001660-45	Blue Index-CW
8	010016-40	Eterna Cartridge, LTC w/ Handle, Index & Screw
9	005959-40	Eterna Cartridge, LTC w/ Spring Check
10	005960-40	Eterna Cartridge, RTC
11	010015-40	Eterna Cartridge, RTC w/ Spring Check
12	001638-45	Lever Handle
13	001661-45	Red Index-HW



Product Specifications:
 Wall Mount Mixing Faucet, Eterna Cartridges, Lever Handles, Rigid Gooseneck w/ Stream Regulator Outlet & 1/2" NPT Female Adjustable Inlets w/ Service Stops

Product Compliance:
 ASME A112.18.1 / CSA B125.1
 NSF 61 - Section 9
 NSF 372 (Low Lead Content)
 ANSI A117.1 (ADA)