



T&S BRASS AND BRONZE WORKS, INC.

2 Saddleback Cove / P.O. Box 1088
Travelers Rest, SC 29690

Model No.

B-0318-02

Item No.

Travelers Rest, SC: 800-476-4103 • Simi Valley, CA: 800-423-0150 • Fax: 864-834-3518 • www.tsbrass.com



ADA Compliant

This Space for Architect/Engineer Approval

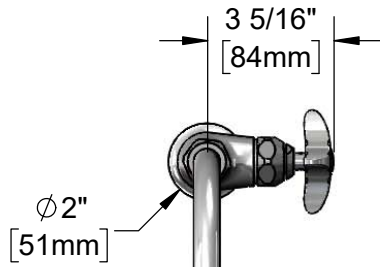
Job Name _____ Date _____

Model Specified _____ Quantity _____

Customer/Wholesaler _____

Contractor _____

Architect/Engineer _____

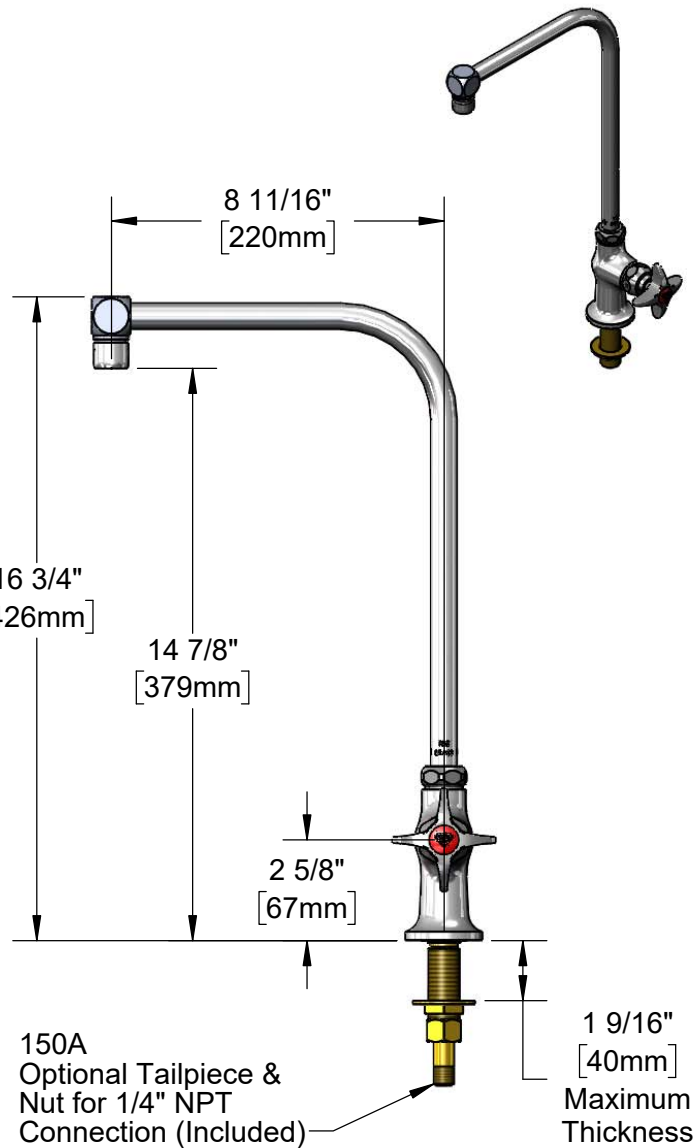


90° Swing Nozzle w/
360° Rotation &
B-0199-01
2.2 GPM Aerator.
Converts to Rigid w/
014200-45 Lock
Washer (Included).



Quarter-Turn Eterna
Cartridges w/
Spring Check &
4-Arm Handle w/
Red Color Coded Index

1/2" NPSM
Male Inlet



Rough-in Requirement:
(1) ϕ 1" [25mm] Mounting Hole

Product Specifications:

Single Hole Single Temperature Deck Mount Faucet with Polished Chromed Plated Brass Body, 8 11/16" 90 degree swing Nozzle w/ 2.2 GPM Aerator, Quarter-Turn Eterna Cartridge w/ Spring Check, 4 Arm Handle & Red Color Coded Index

Product Compliance:

ASME A112.18.1 / CSA B125.1
NSF 61 - Section 9
NSF 372 (Low Lead Content)
ANSI A117.1 (ADA)



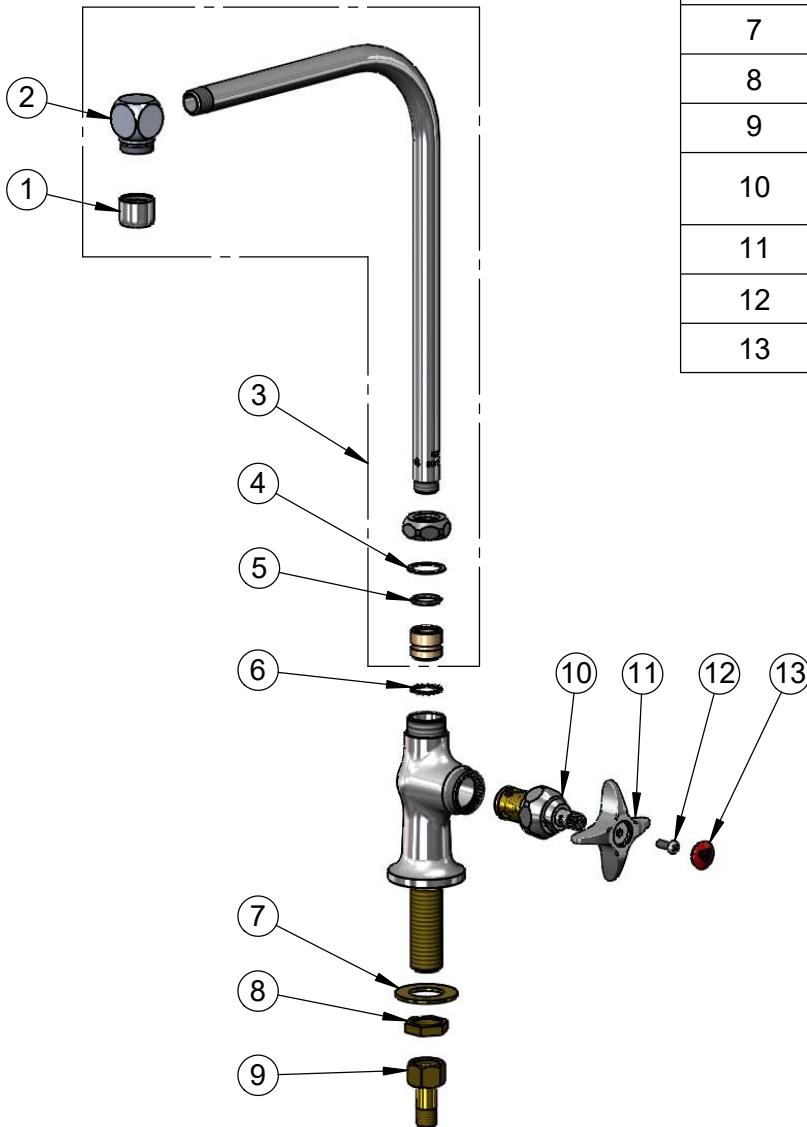
T&S BRASS AND BRONZE WORKS, INC.
 2 Saddleback Cove / P.O. Box 1088
 Travelers Rest, SC 29690

Model No.
B-0318-02

Item No.

Travelers Rest, SC: 800-476-4103 • Simi Valley, CA: 800-423-0150 • Fax: 864-834-3518 • www.tsbrass.com

ITEM NO.	SALES NO.	DESCRIPTION
1	B-0199-01	2.2 GPM Aerator, 55/64"-27 UN Female
2	002823-40	Cube
3	017778-40	90° Swing Nozzle
4	009538-45	Swivel Washer
5	001074-45	O-Ring
6	014200-45	Star Washer, Anti-Rotation
7	000999-45	Brass Lock Washer
8	002954-45	Shank Lock Nut
9	150A	1/4" NPT Tailpiece & Nut
10	012443-40NS	Quarter-Turn Eterna Cartridge w/ Spring Check, RTC
11	002521-45NS	4-Arm Handle (New Style)
12	000925-45	Lab Handle Screw
13	001193-19NS	Red Button Index, Press-in



Product Specifications:

Single Hole Single Temperature Deck Mount Faucet with Polished Chromed Plated Brass Body, 8 11/16" 90 degree swing Nozzle w/ 2.2 GPM Aerator, Quarter-Turn Eterna Cartridge w/ Spring Check, 4 Arm Handle & Red Color Coded Index

Product Compliance:

ASME A112.18.1 / CSA B125.1
 NSF 61 - Section 9
 NSF 372 (Low Lead Content)
 ANSI A117.1 (ADA)