



# T&S BRASS AND BRONZE WORKS, INC.

2 Saddleback Cove / P.O. Box 1088  
Travelers Rest, SC 29690

Model No.

**B-0205-060X-CR**

Item No.

Travelers Rest, SC: 800-476-4103 • Simi Valley, CA: 800-423-0150 • Fax: 864-834-3518 • www.tsbrass.com



**ADA Compliant**

This Space for Architect/Engineer Approval

Job Name \_\_\_\_\_ Date \_\_\_\_\_

Model Specified \_\_\_\_\_ Quantity \_\_\_\_\_

Customer/Wholesaler \_\_\_\_\_

Contractor \_\_\_\_\_

Architect/Engineer \_\_\_\_\_

060X  
8" Swing Nozzle  
w/ Stream Regulator Outlet.  
Converts to Rigid w/  
014200-45  
Lock Washer (Included)

Swivel Joint

Quarter-Turn Cerama  
Cartridge & Lever Handle  
w/ Blue Color Coded Index

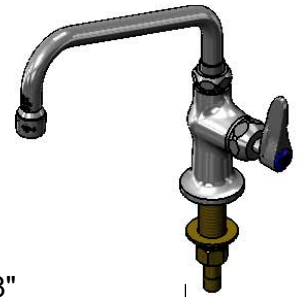
4 15/16"  
[125mm]

2 5/8"  
[67mm]

Mounting  
Surface

2 7/16"  
[62mm]

Ø 2" [51mm]  
Flange w/  
1/2" NPSM  
Male Inlet



8"

[204mm]

9 5/16"  
[236mm]

6 3/16"  
[157mm]

1 5/8"  
[41mm]  
Maximum  
Thickness

150A  
Optional Tailpiece  
& Nut for 1/4" NPT  
Connection (Included)

Rough-In Requirement:  
Ø 1" [25mm] Mounting Hole

Product Specifications:  
Single Hole Single Temperature Deck Mount Faucet, Quarter-Turn Cerama  
Cartridge w/ Check Valve, Lever Handle, 8" Swing Nozzle w/ Stream  
Regulator Outlet & 1/2" NPSM Male Inlet

Product Compliance:  
ASME A112.18.1 / CSA B125.1  
NSF 61 - Section 9  
NSF 372 (Low Lead Content)  
ANSI A117.1 (ADA)



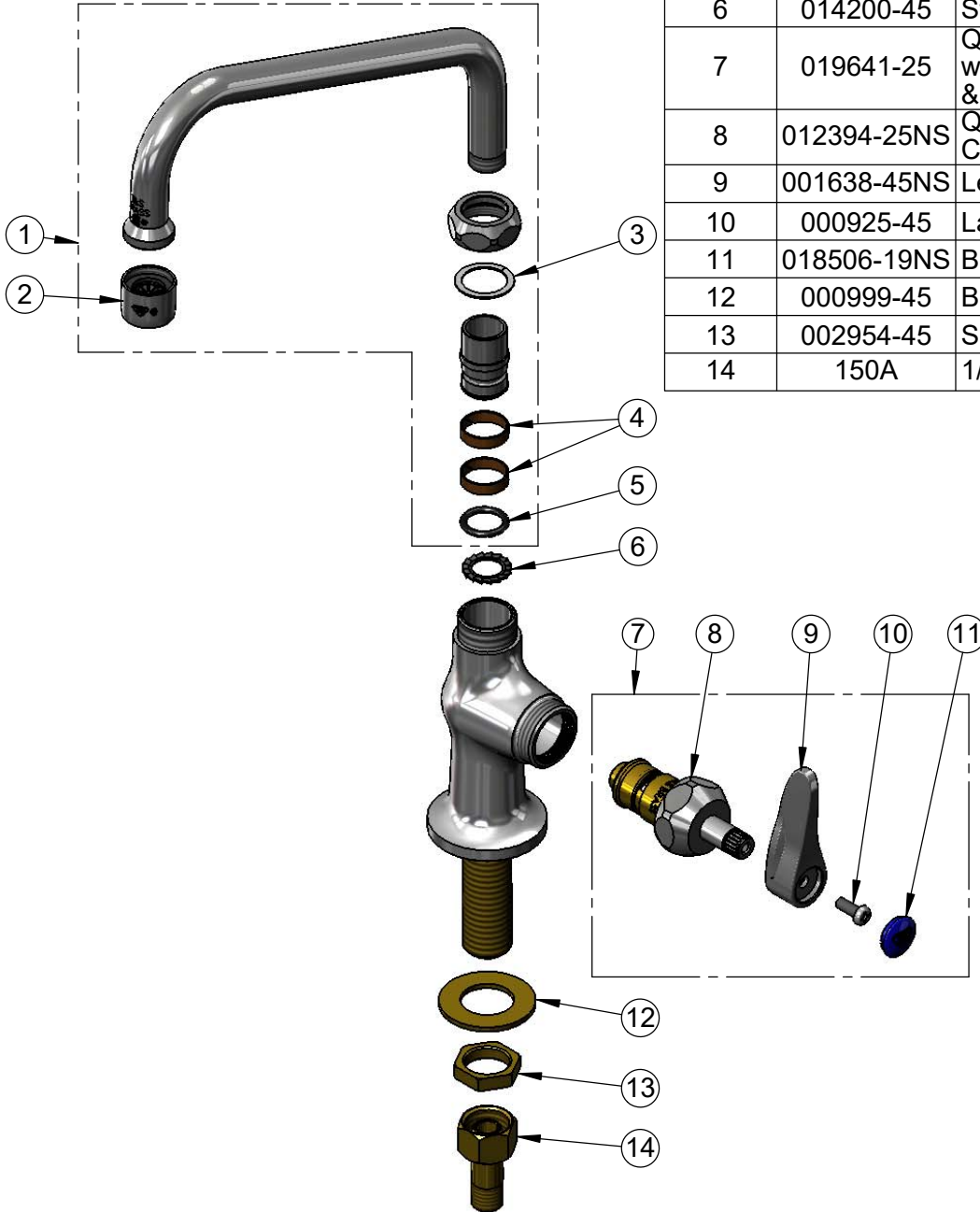
**T&S BRASS AND BRONZE WORKS, INC.**  
 2 Saddleback Cove / P.O. Box 1088  
 Travelers Rest, SC 29690

Model No.  
**B-0205-060X-CR**

Item No.

Travelers Rest, SC: 800-476-4103 • Simi Valley, CA: 800-423-0150 • Fax: 864-834-3518 • www.tsbrass.com

ITEM NO.	SALES NO.	DESCRIPTION
1	060X	8" Swing Nozzle
2	B-PT	Stream Regulator Outlet
3	009538-45	Swivel Washer
4	011429-45	Swivel Sleeves (2)
5	001074-45	O-Ring
6	014200-45	Star Washer, Anti-Rotation
7	019641-25	Quarter-Turn Cerama Cartridge RTC w/ Check Valve, Handle, Blue Index & Screw
8	012394-25NS	Quarter-Turn Cerama Cartridge w/ Check Valve, RTC
9	001638-45NS	Lever Handle (New Style)
10	000925-45	Lab Handle Screw
11	018506-19NS	Blue Button Index, Press-in
12	000999-45	Brass Lock Washer
13	002954-45	Shank Lock Nut
14	150A	1/4" NPT Tailpiece & Nut



Product Specifications:  
 Single Hole Single Temperature Deck Mount Faucet, Quarter-Turn Cerama Cartridge w/ Check Valve, Lever Handle, 8" Swing Nozzle w/ Stream Regulator Outlet & 1/2" NPSM Male Inlet

Product Compliance:  
 ASME A112.18.1 / CSA B125.1  
 NSF 61 - Section 9  
 NSF 372 (Low Lead Content)  
 ANSI A117.1 (ADA)