



T&S BRASS AND BRONZE WORKS, INC.
 2 Saddleback Cove / P.O. Box 1088
 Travelers Rest, SC 29690

Model No.
B-0192

Item No.

Travelers Rest, SC: 800-476-4103 • Simi Valley, CA: 800-423-0150 • Fax: 864-834-3518 • www.tsbrass.com

This Space for Architect/Engineer Approval

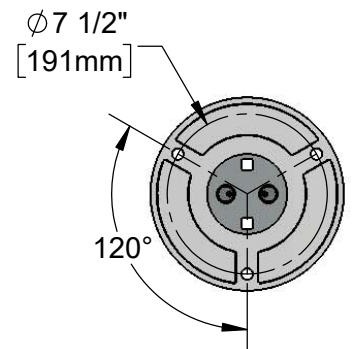
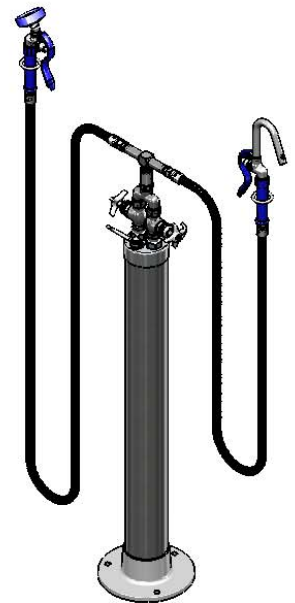
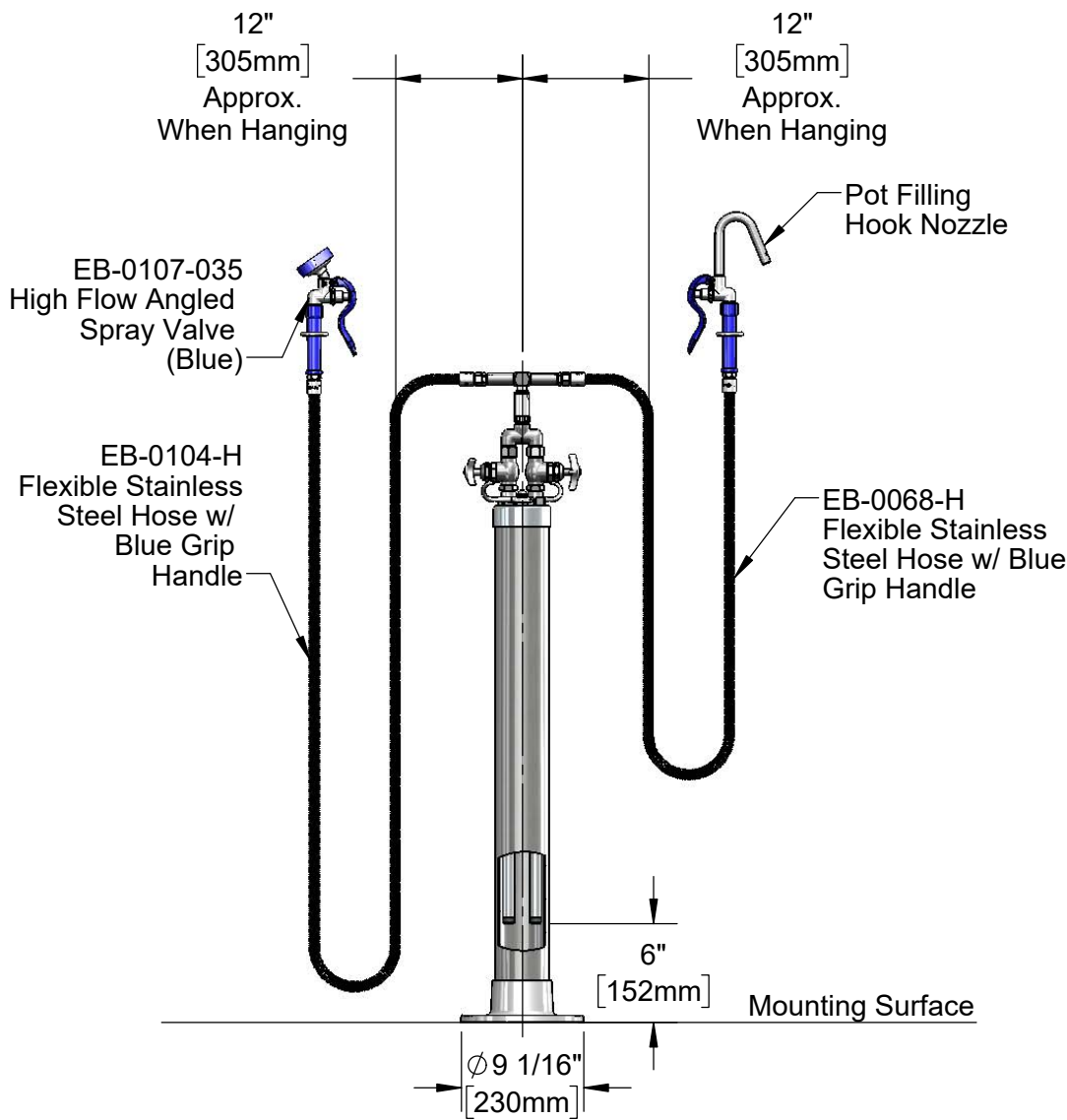
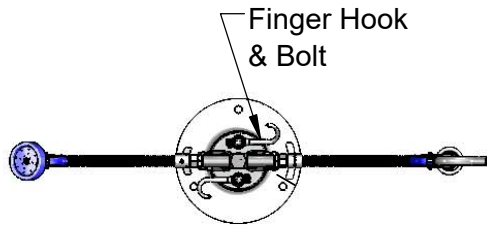
Job Name _____ Date _____

Model Specified _____ Quantity _____

Customer/Wholesaler _____

Contractor _____

Architect/Engineer _____



Mounting Details
 Scale 1:9

Product Specifications:

Kettle Kaddy Combination Kettle Filler Spray Stanchion, Control Valves, 104" and 68" Flexible Stainless Steel Hoses, Hook Nozzle, High Flow Spray Valve & (2) 1/2" Check Valves

Product Compliance:

ASME A112.18.1 / CSA B125.1
 NSF 61 - Section 9
 NSF 372 (Low Lead Content)
 EPA Act 2005 Non-Compliant (PRSV)

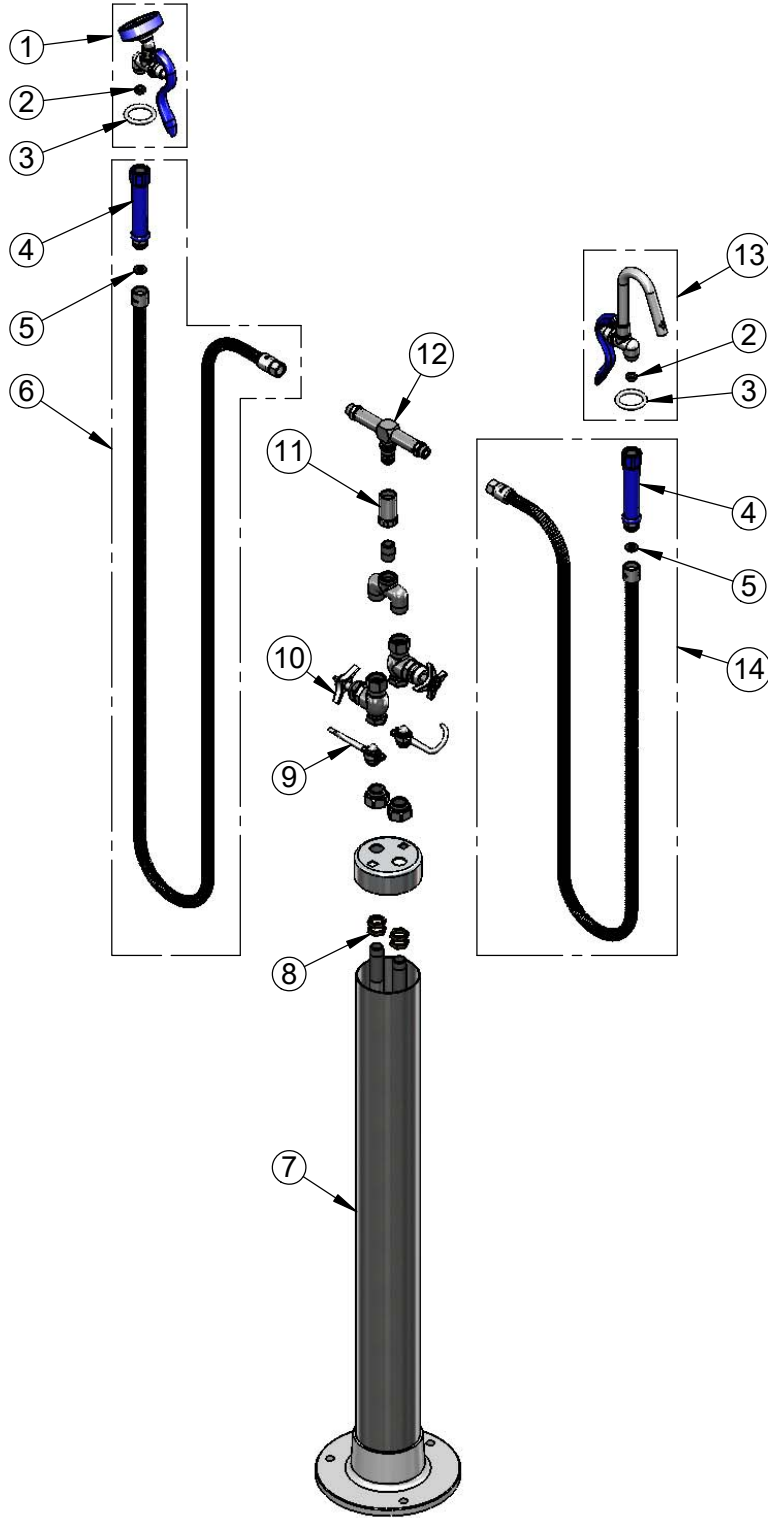


T&S BRASS AND BRONZE WORKS, INC.
 2 Saddleback Cove / P.O. Box 1088
 Travelers Rest, SC 29690

Model No.
B-0192

Item No.

Travelers Rest, SC: 800-476-4103 • Simi Valley, CA: 800-423-0150 • Fax: 864-834-3518 • www.tsbrass.com



ITEM NO.	SALES NO.	DESCRIPTION
1	EB-0107-035	High Flow Angled Spray Valve (Blue)
2	010476-45	#27 Washer
3	000907-45	Spray Valve Hold Down Ring
4	011482-40	Blue Grip Handle
5	001014-45	Washer, B-0100 Hose Barrel
6	EB-0104-H	104" Flexible Stainless Steel Hose w/ Blue Grip Handle
7	002847-40	B-0190 Stanchion
8	002954-45	Shank Lock Nut (4)
9	002852-40	Finger Hook & Bolt
10	0RK3	Shut-Off Control Valve
11	000592-25	1/2" NPT Swivel Body
12	002855-40	Swivel Tee
13	012952-40	Spray Valve & Hook Nozzle
14	EB-0068-H	68" Flexible Stainless Steel Hose w/ Blue Handle

Product Specifications:

Kettle Kaddy Combination Kettle Filler Spray Stanchion, Control Valves, 104" and 68" Flexible Stainless Steel Hoses, Hook Nozzle, High Flow Spray Valve & (2) 1/2" Check Valves

Product Compliance:

ASME A112.18.1 / CSA B125.1
 NSF 61 - Section 9
 NSF 372 (Low Lead Content)
 EPA Act 2005 Non-Compliant (PRSV)