



**T&S BRASS AND BRONZE WORKS, INC.**  
 2 Saddleback Cove / P.O. Box 1088  
 Travelers Rest, SC 29690

Model No.  
**B-0188**

Item No.

Travelers Rest, SC: 800-476-4103 • Simi Valley, CA: 800-423-0150 • Fax: 864-834-3518 • www.tsbrass.com

This Space for Architect/Engineer Approval

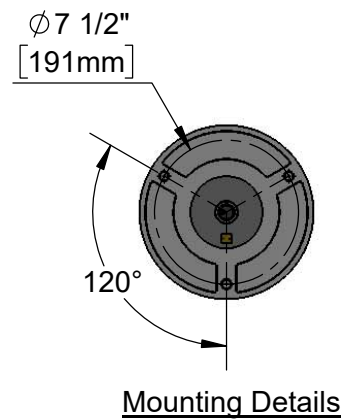
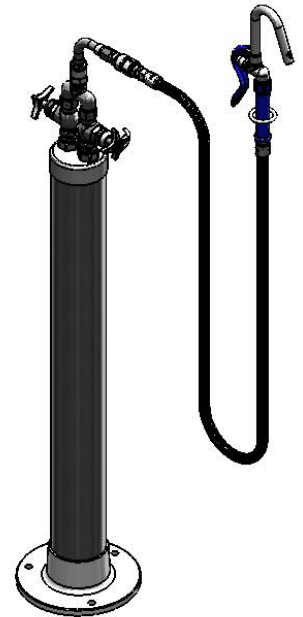
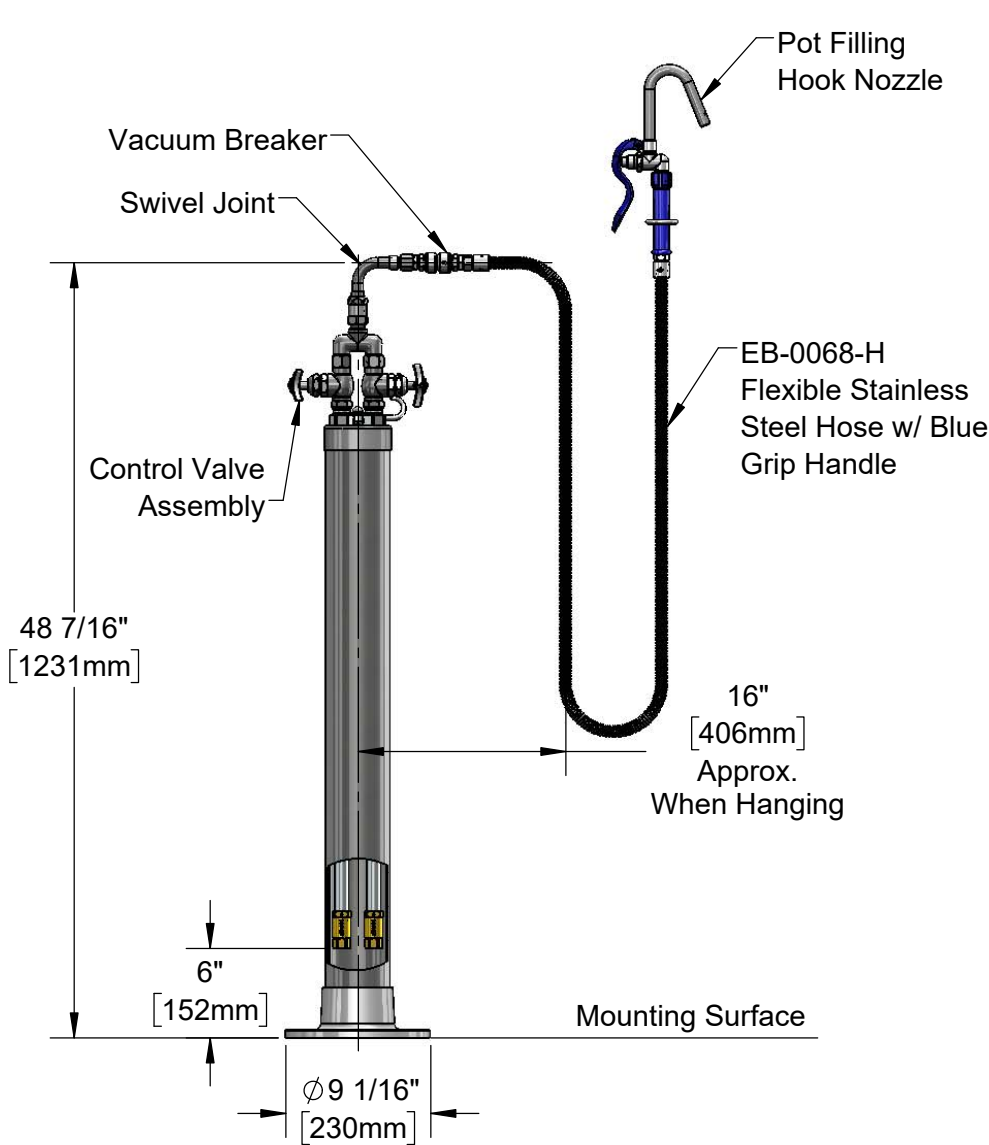
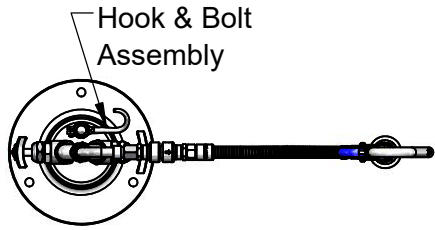
Job Name \_\_\_\_\_ Date \_\_\_\_\_

Model Specified \_\_\_\_\_ Quantity \_\_\_\_\_

Customer/Wholesaler \_\_\_\_\_

Contractor \_\_\_\_\_

Architect/Engineer \_\_\_\_\_



**Product Specifications:**  
 Kettle Kaddy Stanchion w/ Control Valves, Mixing Valve, 68" Flexible Stainless Steel Hose, Continuous Pressure Vacuum Breaker, Hook Nozzle, & (2) 1/2" Check Valves

**Product Compliance:**  
 ASME A112.18.1 / CSA B125.1  
 NSF 61 - Section 9  
 NSF 372 (Low Lead Content)  
 EPA Act 2005 Non-Compliant (PRSV)  
 CSA B64.8 (VB)



# T&S BRASS AND BRONZE WORKS, INC.

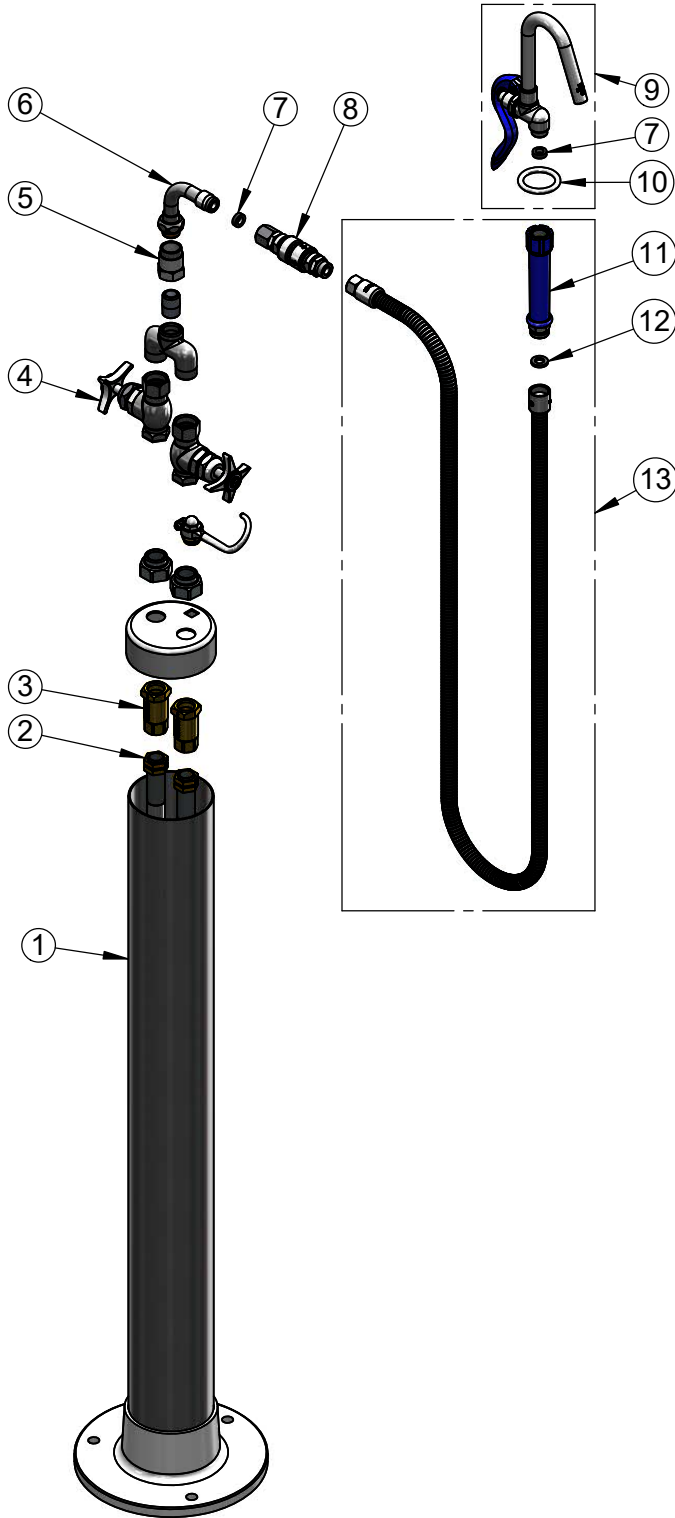
2 Saddleback Cove / P.O. Box 1088  
Travelers Rest, SC 29690

Model No.

**B-0188**

Item No.

Travelers Rest, SC: 800-476-4103 • Simi Valley, CA: 800-423-0150 • Fax: 864-834-3518 • www.tsbrass.com



ITEM NO.	SALES NO.	DESCRIPTION
1	002847-40	B-0190 Stanchion
2	002954-45	Shank Lock Nut (4)
3	B-CVV1-2	1/2" Check Valve (2)
4	0RK3	Shut-Off Control Valve
5	000590-25	1/2" NPT Swivel Body
6	034A	18" Dbl Jt Swing Nozzle w/ Heat Resistant Handle
7	010476-45	#27 Washer
8	B-0970-01	Continuous Pressure Vacuum Breaker
9	012952-40	Spray Valve & Hook Nozzle
10	000907-45	Spray Valve Hold Down Ring
11	011482-45	Blue Grip Handle
12	001014-45	Washer, B-0100 Hose Barrel
13	EB-0068-H	68" Flexible Stainless Steel Hose w/ Blue Handle

**Product Specifications:**

Kettle Kaddy Stanchion w/ Control Valves, Mixing Valve, 68" Flexible Stainless Steel Hose, Continuous Pressure Vacuum Breaker, Hook Nozzle, & (2) 1/2" Check Valves

**Product Compliance:**

ASME A112.18.1 / CSA B125.1  
NSF 61 - Section 9  
NSF 372 (Low Lead Content)  
EPA Act 2005 Non-Compliant (PRSV)  
CSA B64.8 (VB)