



# T&S BRASS AND BRONZE WORKS, INC.

2 Saddleback Cove / P.O. Box 1088  
Travelers Rest, SC 29690

Model No.

**B-0186**

Item No.

Travelers Rest, SC: 800-476-4103 • Simi Valley, CA: 800-423-0150 • Fax: 864-834-3518 • www.tsbrass.com

This Space for Architect/Engineer Approval

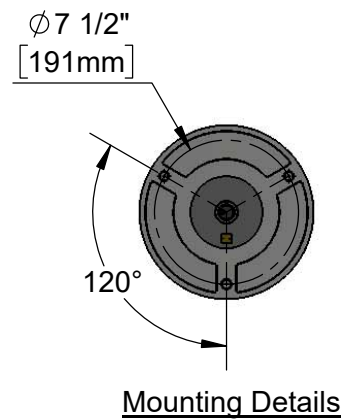
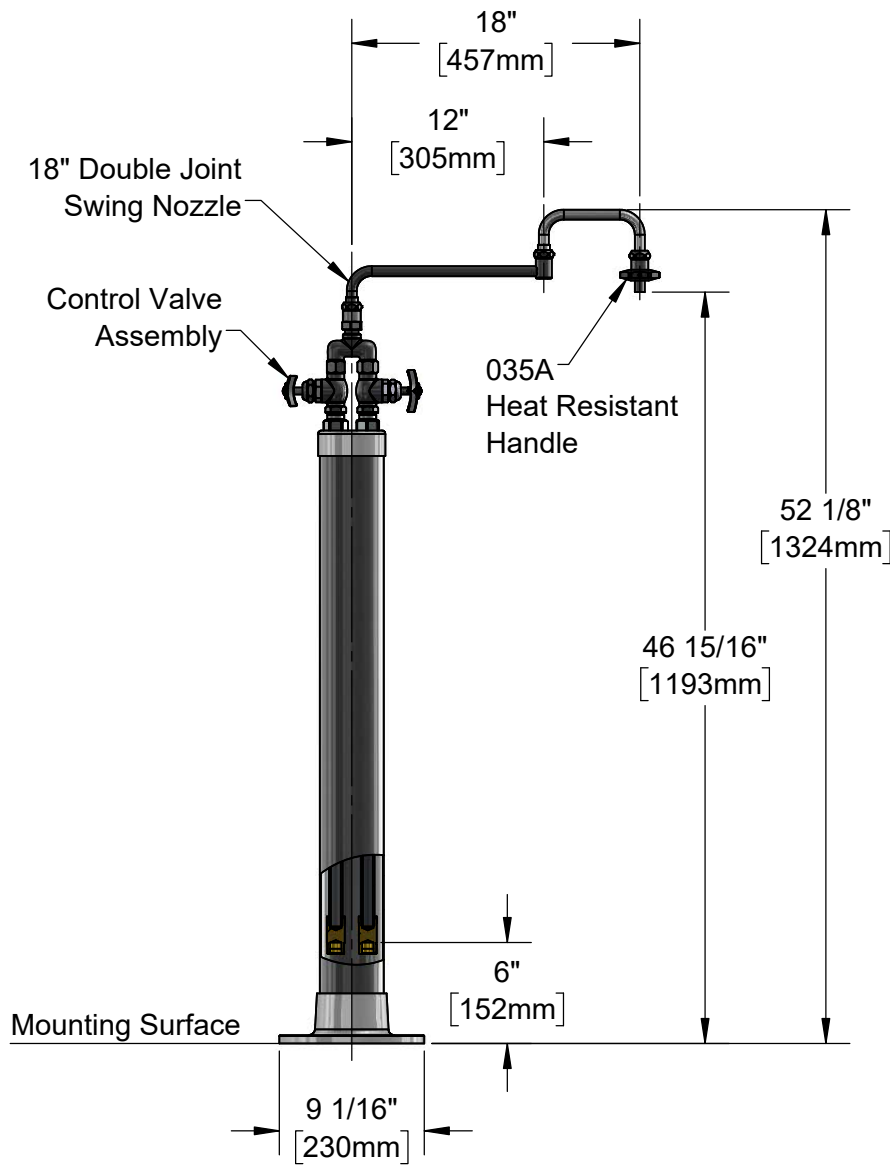
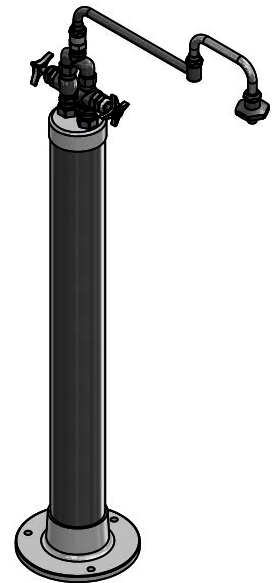
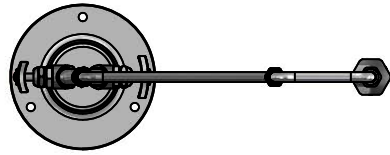
Job Name \_\_\_\_\_ Date \_\_\_\_\_

Model Specified \_\_\_\_\_ Quantity \_\_\_\_\_

Customer/Wholesaler \_\_\_\_\_

Contractor \_\_\_\_\_

Architect/Engineer \_\_\_\_\_



**Product Specifications:**

Kettle Kaddy Stanchion w/ Control Valves, Mixing Valve, 18" Double Joint Swing Nozzle, On/Off Volume Control, & (2) 1/2" Check Valves

**Product Compliance:**

ASME A112.18.1 / CSA B125.1  
NSF 61 - Section 9  
NSF 372 (Low Lead Content)

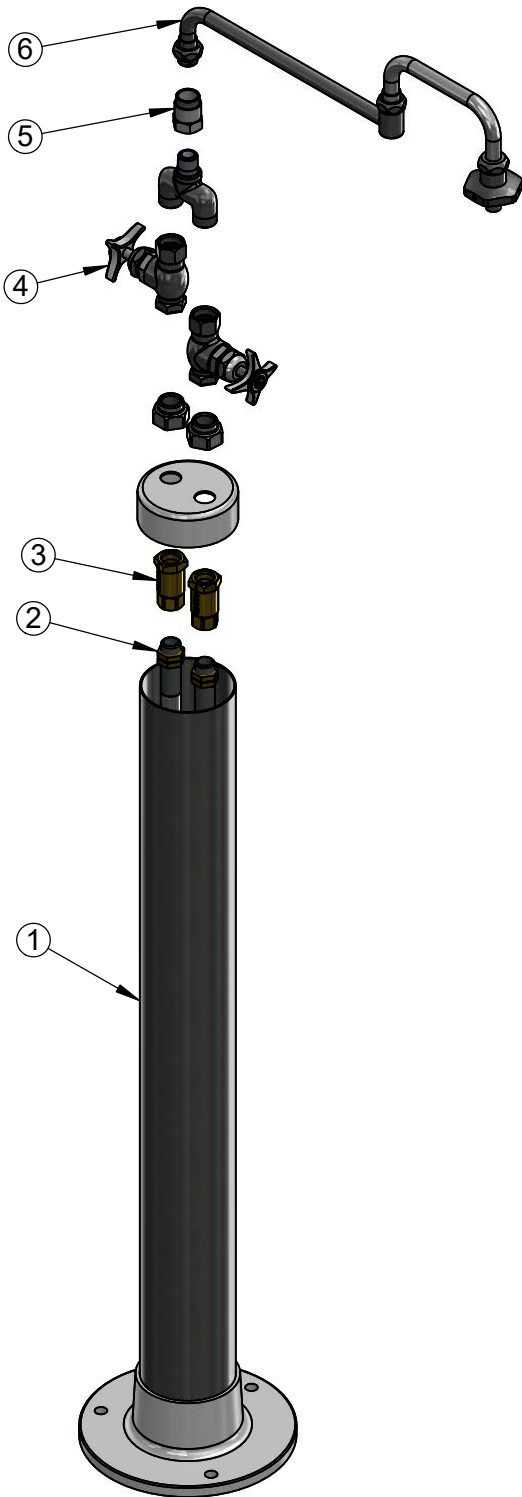


**T&S BRASS AND BRONZE WORKS, INC.**  
 2 Saddleback Cove / P.O. Box 1088  
 Travelers Rest, SC 29690

Model No.  
**B-0186**

Item No.

Travelers Rest, SC: 800-476-4103 • Simi Valley, CA: 800-423-0150 • Fax: 864-834-3518 • www.tsbrass.com



ITEM NO.	SALES NO.	DESCRIPTION
1	002847-40	B-0190 Stanchion
2	002954-45	Shank Lock Nut (4)
3	B-CVV1-2	1/2" Check Valve (2)
4	0RK3	Shut-Off Control Valve
5	000590-25	1/2" Adapter
6	002848-40	18" Dbl Jt Swing Nozzle w/ Heat Resistant Handle

**Product Specifications:**

Kettle Kaddy Stanchion w/ Control Valves, Mixing Valve, 18" Double Joint Swing Nozzle, On/Off Volume Control, & (2) 1/2" Check Valves

**Product Compliance:**

ASME A112.18.1 / CSA B125.1  
 NSF 61 - Section 9  
 NSF 372 (Low Lead Content)