



T&S BRASS AND BRONZE WORKS, INC.
 2 Saddleback Cove / P.O. Box 1088
 Travelers Rest, SC 29690

Model No.
B-0182

Item No.

Travelers Rest, SC: 800-476-4103 • Simi Valley, CA: 800-423-0150 • Fax: 864-834-3518 • www.tsbrass.com

This Space for Architect/Engineer Approval

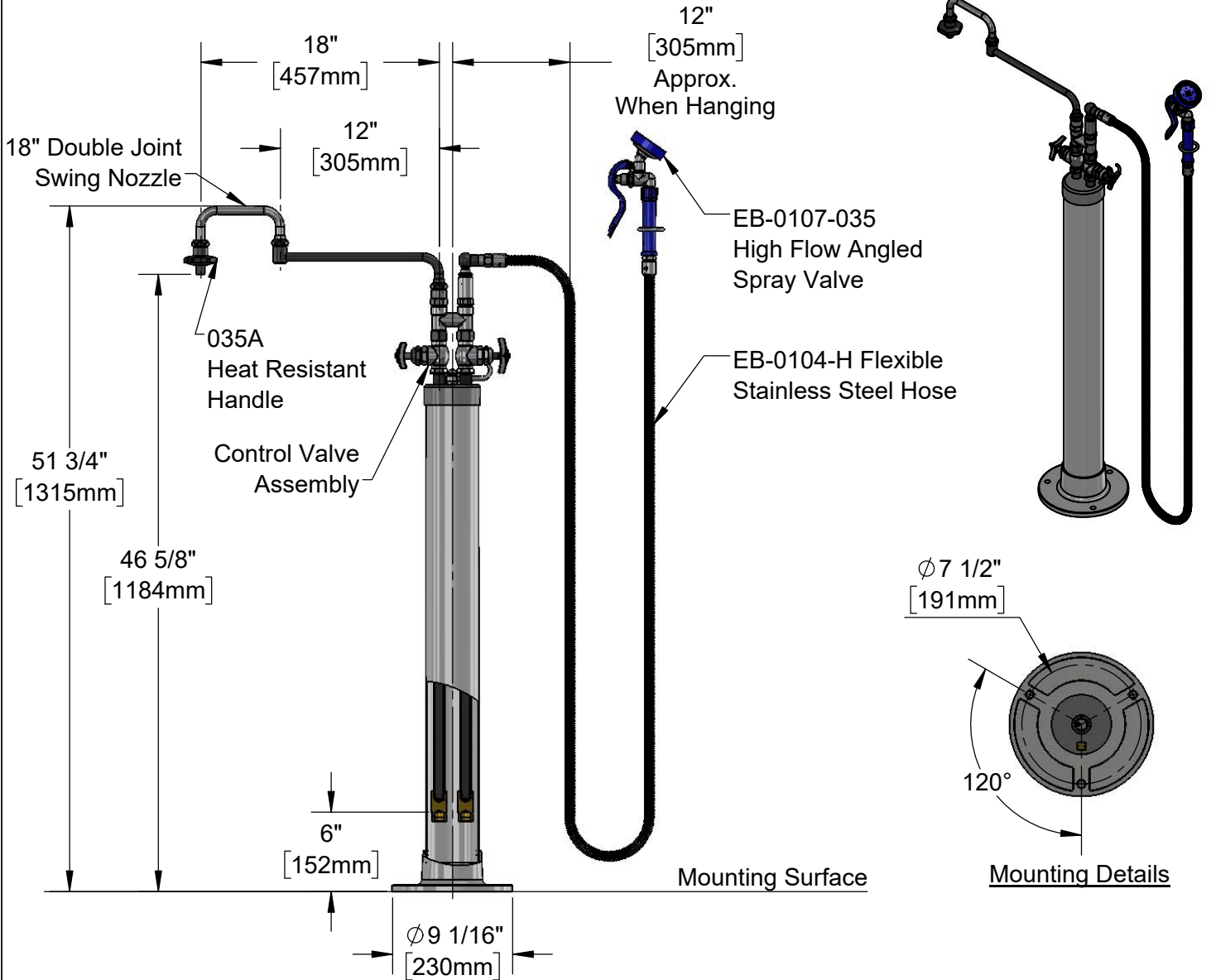
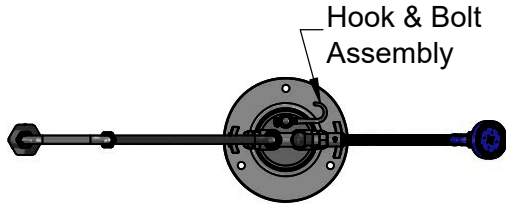
Job Name _____ Date _____

Model Specified _____ Quantity _____

Customer/Wholesaler _____

Contractor _____

Architect/Engineer _____



Product Specifications:
 Kettle Kaddy Combination Kettle Filler and Spray Stanchion, Control Valves, 18" Double Joint Swing Nozzle, On/Off Volume Control, 1/2" Swivel Coupling, 104" Flexible Stainless Steel Hose, High Flow Spray Valve & (2) 1/2" Check Valves

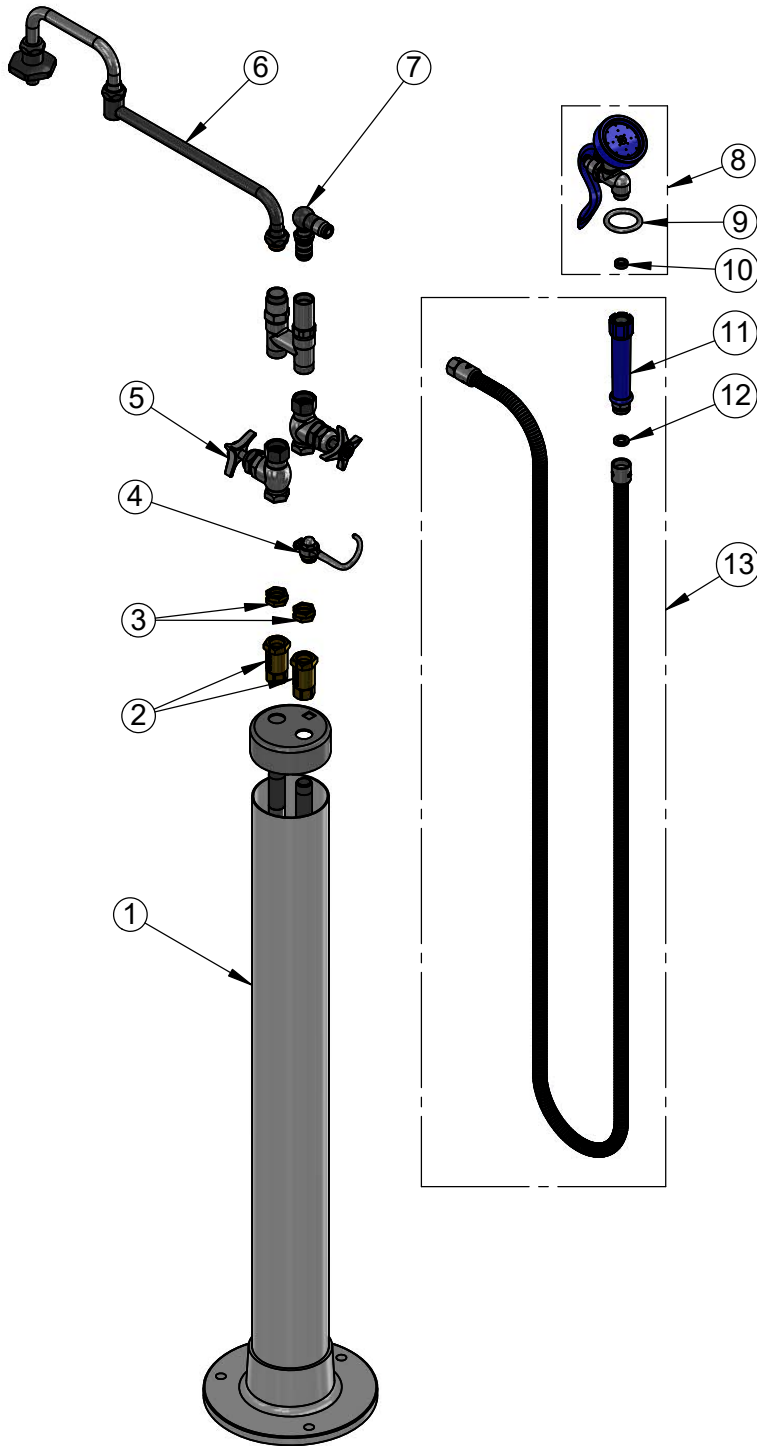
Product Compliance:
 ASME A112.18.1 / CSA B125.1
 NSF 61 - Section 9
 NSF 372 (Low Lead Content)
 EPA Act 2005 Non-Compliant (PRSV)



T&S BRASS AND BRONZE WORKS, INC.
 2 Saddleback Cove / P.O. Box 1088
 Travelers Rest, SC 29690

Model No.
B-0182
 Item No.

Travelers Rest, SC: 800-476-4103 • Simi Valley, CA: 800-423-0150 • Fax: 864-834-3518 • www.tsbrass.com



ITEM NO.	SALES NO.	DESCRIPTION
1	002847-40	B-0190 Stanchion
2	B-CVV1-2	1/2" Check Valve (2)
3	002954-45	Shank Lock Nut (4)
4	002852-40	Finger Hook & Bolt
5	0RK3	Shut Off Control Valve
6	002848-40	18" Dbl Jt Swing Nozzle w/ Heat Resistant Handle
7	002850-40	1/2" Swivel Coupling
8	EB-0107-035	High Flow Angled Spray Valve (Blue)
9	000907-45	Spray Valve Hold Down Ring
10	010476-45	#27 Washer
11	011482-45	Blue Grip Handle
12	001014-45	Washer, B-0100 Hose Barrel
13	EB-0104-H	104" Flexible Stainless Steel Hose w/ Blue Grip Handle

Product Specifications:

Kettle Kaddy Combination Kettle Filler and Spray Stanchion, Control Valves, 18" Double Joint Swing Nozzle, On/Off Volume Control, 1/2" Swivel Coupling, 104" Flexible Stainless Steel Hose, High Flow Spray Valve & (2) 1/2" Check Valves

Product Compliance:

ASME A112.18.1 / CSA B125.1
 NSF 61 - Section 9
 NSF 372 (Low Lead Content)
 EPA Act 2005 Non-Compliant (PRSV)