



**T&S BRASS AND BRONZE WORKS, INC.**  
 2 Saddleback Cove / P.O. Box 1088  
 Travelers Rest, SC 29690

Model No.  
**B-0180**

Item No.

Travelers Rest, SC: 800-476-4103 • Simi Valley, CA: 800-423-0150 • Fax: 864-834-3518 • www.tsbrass.com

This Space for Architect/Engineer Approval

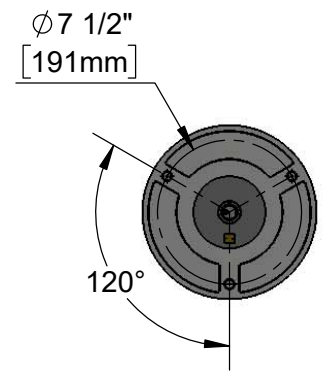
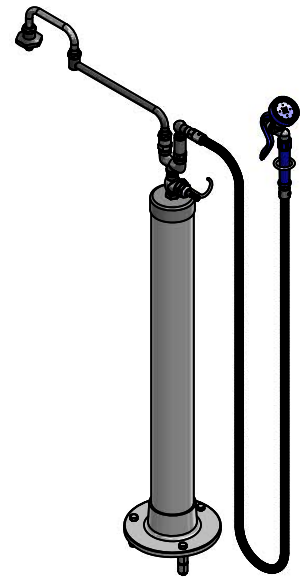
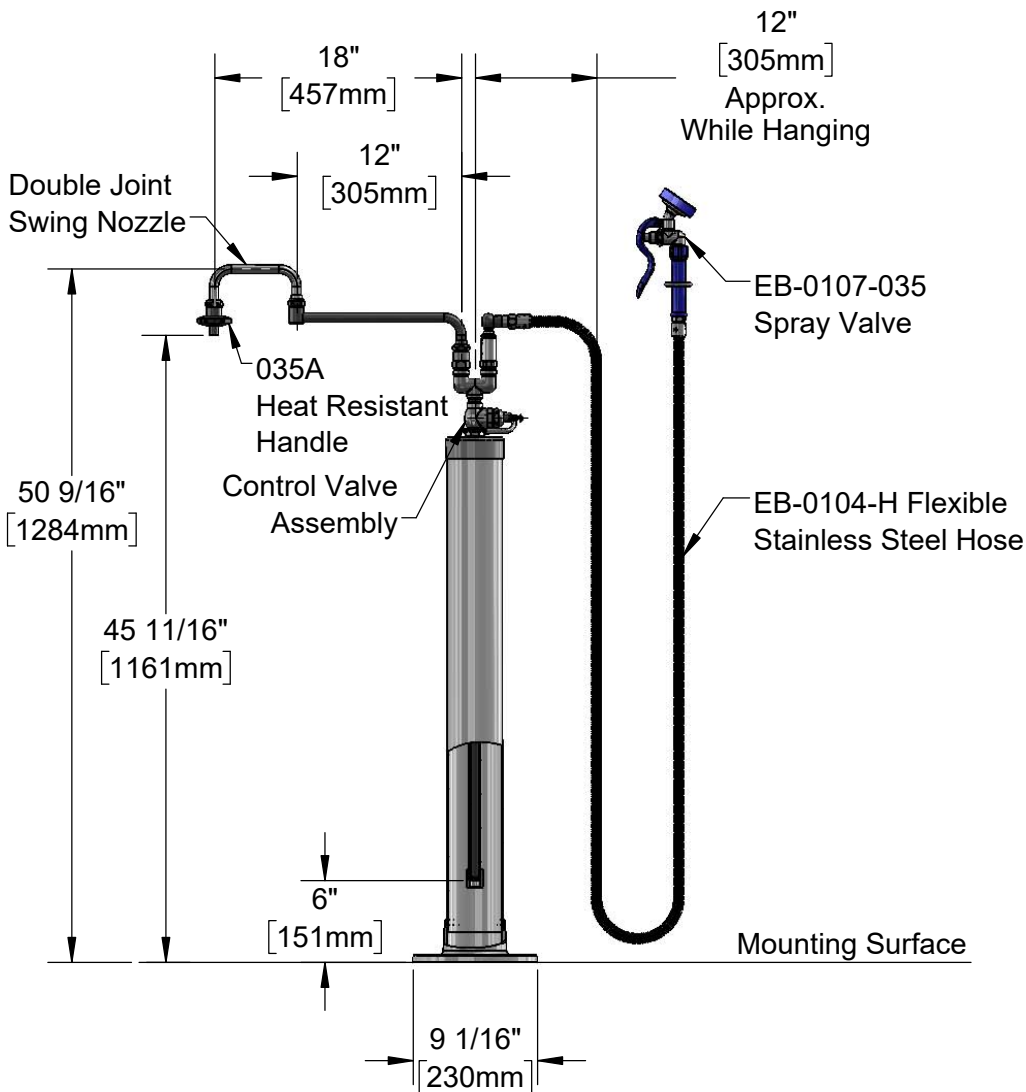
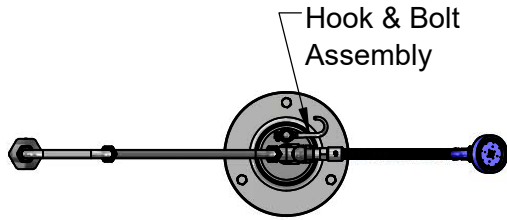
Job Name \_\_\_\_\_ Date \_\_\_\_\_

Model Specified \_\_\_\_\_ Quantity \_\_\_\_\_

Customer/Wholesaler \_\_\_\_\_

Contractor \_\_\_\_\_

Architect/Engineer \_\_\_\_\_



Product Specifications:

Kettle Kaddy Combination Kettle Filler Spray Stanchion, Control Valve, 104" Flexible Stainless Steel Hose, 18" Double Joint Swing Nozzle & High Flow Spray Valve

Product Compliance:

ASME A112.18.1 / CSA B125.1  
 NSF 61 - Section 9  
 NSF 372 (Low Lead Content)  
 EPA Act 2005 Non-Compliant (PRSV)

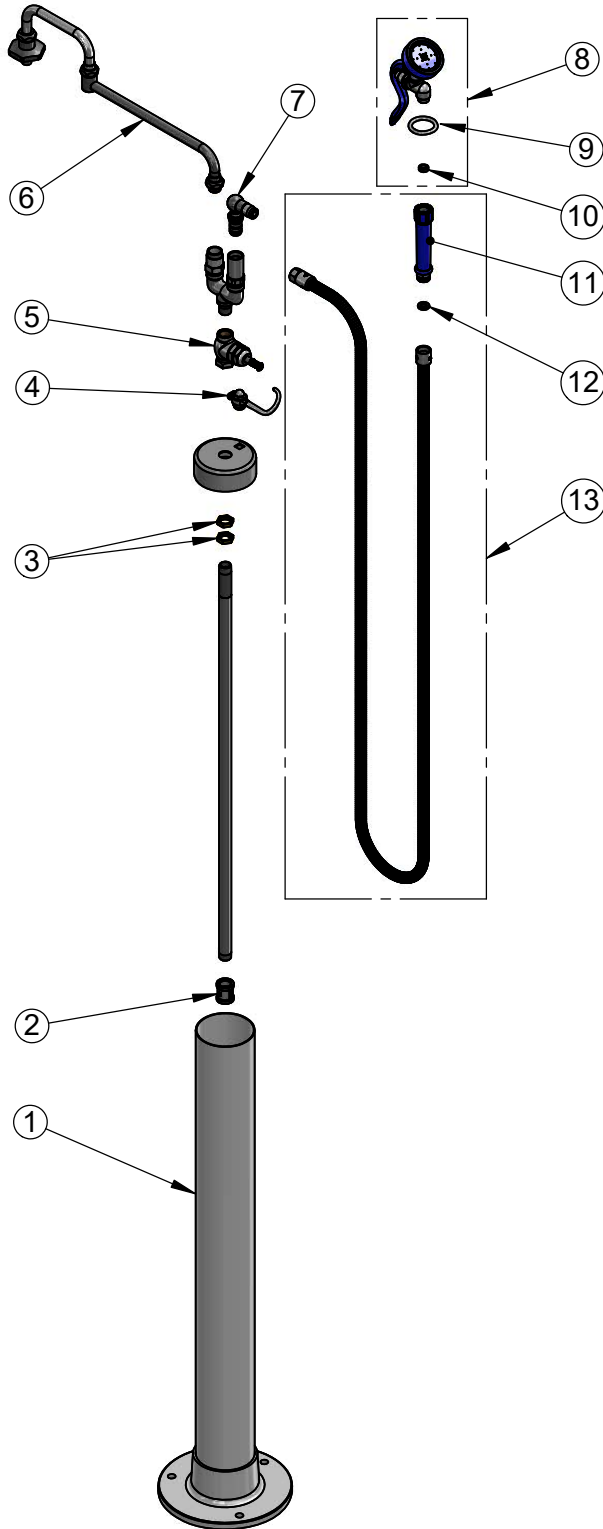


**T&S BRASS AND BRONZE WORKS, INC.**  
 2 Saddleback Cove / P.O. Box 1088  
 Travelers Rest, SC 29690

Model No.  
**B-0180**

Item No.

Travelers Rest, SC: 800-476-4103 • Simi Valley, CA: 800-423-0150 • Fax: 864-834-3518 • www.tsbrass.com



ITEM NO.	SALES NO.	DESCRIPTION
1	002847-40	B-0190 Stanchion
2	001684-25	1/2" NPT Female Coupling
3	002954-45	Shank Lock Nut
4	002852-40	Finger Hook & Bolt
5	0RK3	Shut-Off Control Valve
6	002848-40	18" Dbl Jt Swing Nozzle w/ Heat Resistant Handle
7	002850-40	Shut Off Control Valve
8	EB-0107-035	High Flow Angled Spray Valve (Blue)
9	000907-45	Spray Valve Hold Down Ring
10	010476-45	#27 Washer
11	011482-45	Blue Grip Handle
12	001014-45	Washer, B-0100 Hose Barrel
13	EB-0104-H	104" Flexible Stainless Steel Hose w/ Blue Grip Handle

Product Specifications:  
 Kettle Kaddy Combination Kettle Filler Spray Stanchion, Control Valve,  
 104" Flexible Stainless Steel Hose, 18" Double Joint Swing Nozzle  
 & High Flow Spray Valve

Product Compliance:  
 ASME A112.18.1 / CSA B125.1  
 NSF 61 - Section 9  
 NSF 372 (Low Lead Content)  
 EPAct 2005 Non-Compliant (PRSV)