



T&S BRASS AND BRONZE WORKS, INC.

2 Saddleback Cove / P.O. Box 1088
Travelers Rest, SC 29690

Model No.

B-0140-08

Item No.

Travelers Rest, SC: 800-476-4103 • Simi Valley, CA: 800-423-0150 • Fax: 864-834-3518 • www.tsbrass.com

This Space for Architect/Engineer Approval

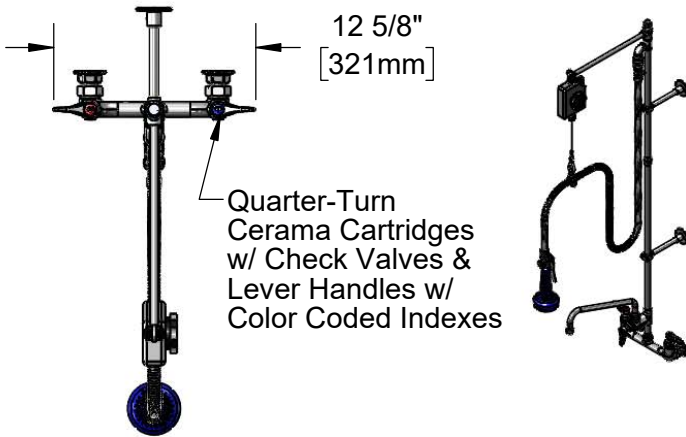
Job Name _____ Date _____

Model Specified _____ Quantity _____

Customer/Wholesaler _____

Contractor _____

Architect/Engineer _____



Quarter-Turn
Cerama Cartridges
w/ Check Valves &
Lever Handles w/
Color Coded Indexes



Items Not Shown
For Clarity

3/8" NPT x
18" Riser

3/8" Pipe
Coupling

3/8" NPT x
24" Riser

12"
[305mm]

3 11/16"
[93mm]

8"
[203mm]

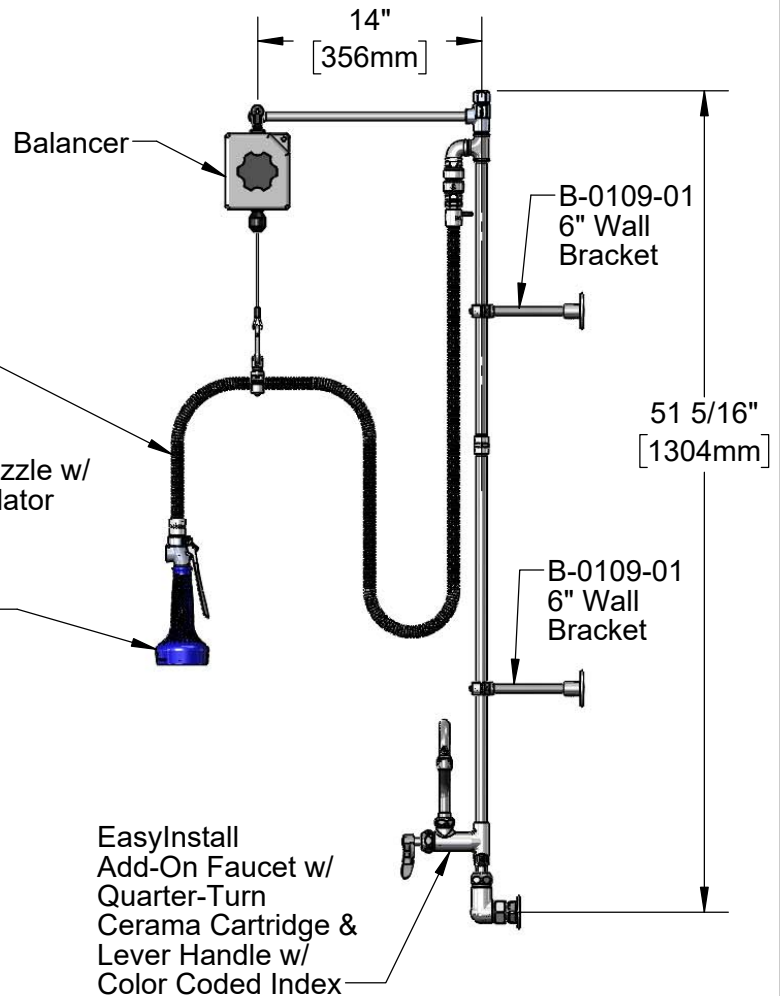
Adjustable From
7 3/4" to 8 1/4"
[197mm to 210mm]

68" Flexible
Stainless
Steel Hose

062X
12" Swing Nozzle w/
Stream Regulator

B-0108
1.07 GPM
Spray Valve

Ø2" [51mm]
Flanges w/
1/2" NPT
Female Inlets



EasyInstall
Add-On Faucet w/
Quarter-Turn
Cerama Cartridge &
Lever Handle w/
Color Coded Index

Product Specifications:

Pre-Rinse Unit: 8" Wall Mount Mixing Faucet, Quarter-Turn Cerama Cartridges w/ Check Valves, Lever Handles, Add-On Faucet w/ 12" Swing Nozzle, 18" & 24" Risers, 6" Wall Bracket, 14" Extension Arm, Balancer, 1.07 GPM Spray Valve, 68" Flexible Stainless Steel Hose & 1/2" NPT Female Inlets

Product Compliance:

ASME A112.18.1 / CSA B125.1
NSF 61 - Section 9
NSF 372 (Low Lead Content)
EPA 2005 (PRSV)



T&S BRASS AND BRONZE WORKS, INC.

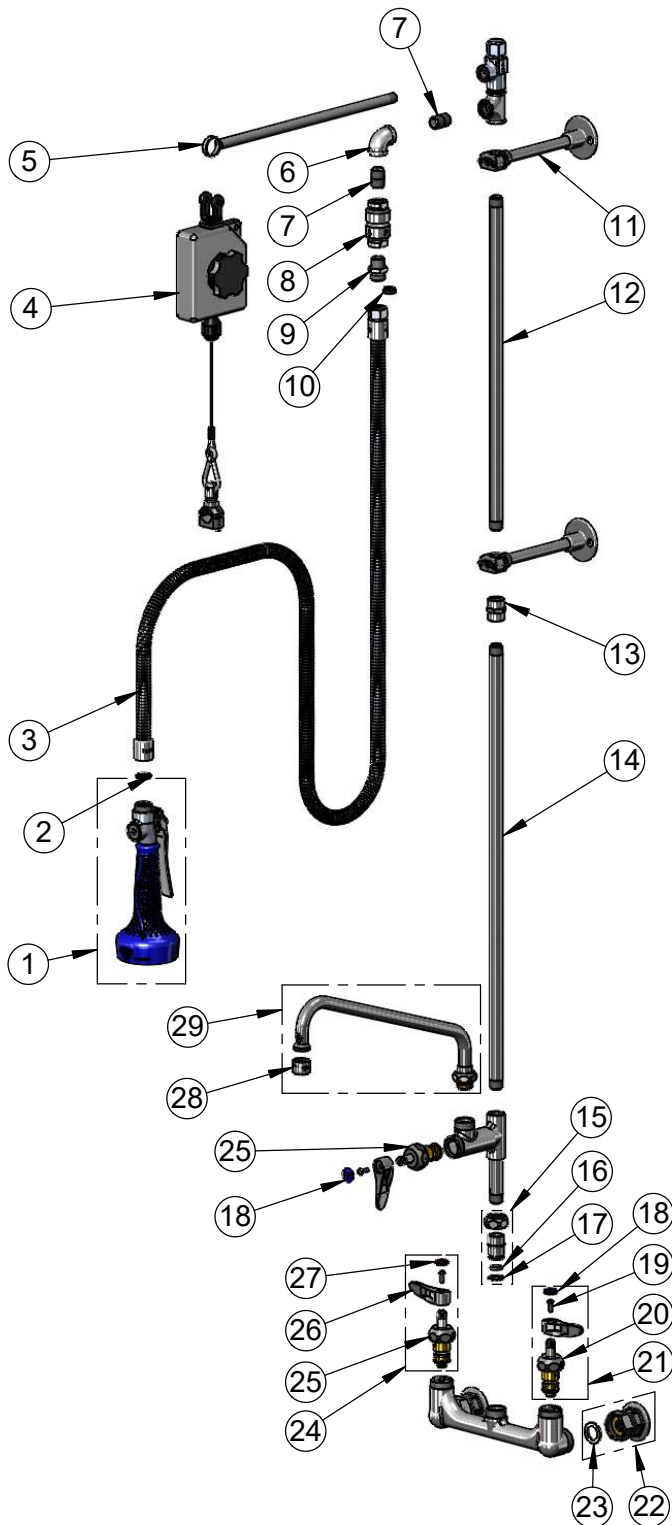
2 Saddleback Cove / P.O. Box 1088
Travelers Rest, SC 29690

Model No.

B-0140-08

Item No.

Travelers Rest, SC: 800-476-4103 • Simi Valley, CA: 800-423-0150 • Fax: 864-834-3518 • www.tsbrass.com



ITEM NO.	SALES NO.	DESCRIPTION
1	B-0108	1.07 GPM Spray Valve
2	001014-45	Washer, B-0100 Hose Barrel
3	B-0068-H2A	68" Flexible Stainless Steel Hose, Less Handle
4	005311-40	Balancer
5	005252-40	Extension Arm, Chrome Plated
6	001355-40	Elbow, 3/8 NPT
7	002535-25	3/8" Close Nipple
8	B-0970-FE	3/8" NPT Vacuum Breaker
9	053A	Adapter, 3/8" NPT Male
10	010476-45	#27 Washer
11	B-0109-01	6" Wall Bracket
12	000369-40	3/8" NPT x 18" Riser
13	001769-40	Coupling, 3/8" NPT
14	000372-40	3/8" NPT x 24" Riser
15	EZ-K	EasyInstall Kit
16	001065-45	O-ring
17	014200-45	Star Washer, Anti-Rotation
18	018506-19NS	Blue Button Index, Press-in
19	000925-45	Lab Handle Screw
20	012395-25NS	Quarter-Turn Cerama Cartridge w/ Check Valve, LTC
21	012447-25NS	Quarter-Turn Cerama Cartridge w/ Check Valve, Handle, Blue Index & Screw, LTC
22	00AA	1/2" NPT Female Eccentric Flange
23	001019-45	Coupling Nut Washer
24	012446-25NS	Quarter-Turn Cerama Cartridge w/ Check Valve, Handle, Red Index & Screw, RTC
25	012394-25NS	Quarter-Turn Cerama Cartridge w/ Check Valve, RTC
26	001638-45NS	Lever Handle (New Style)
27	001193-19NS	Red Button Index, Press-in
28	B-PT	Full Flow Stream Regulator, 55/64-27
29	062X	12" Swing Nozzle

Product Specifications:

Pre-Rinse Unit: 8" Wall Mount Mixing Faucet, Quarter-Turn Cerama Cartridges w/ Check Valves, Lever Handles, Add-On Faucet w/ 12" Swing Nozzle, 18" & 24" Risers, 6" Wall Bracket, 14" Extension Arm, Balancer, 1.07 GPM Spray Valve, 68" Flexible Stainless Steel Hose & 1/2" NPT Female Inlets

Product Compliance:

ASME A112.18.1 / CSA B125.1
NSF 61 - Section 9
NSF 372 (Low Lead Content)
EPA 2005 (PRSV)