



**T&S BRASS AND BRONZE WORKS, INC.**  
 2 Saddleback Cove / P.O. Box 1088  
 Travelers Rest, SC 29690

Model No.  
**B-0103-F SERIES**

Item No.

Travelers Rest, SC: 800-476-4103 • Simi Valley, CA: 800-423-0150 • Fax: 864-834-3518 • www.tsbrass.com

This Space for Architect/Engineer Approval

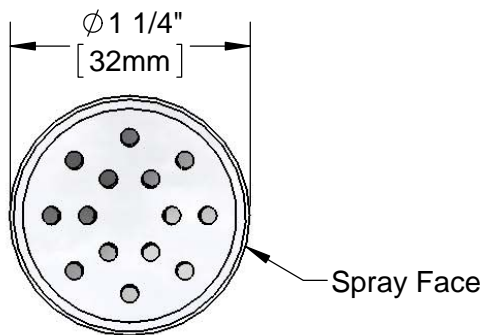
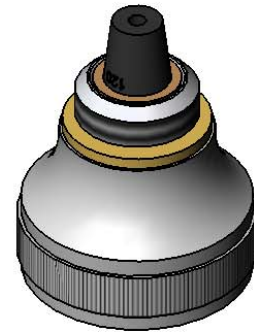
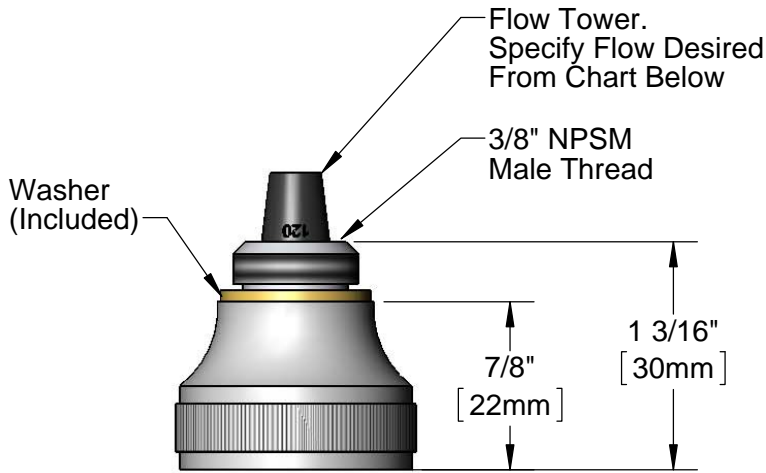
Job Name \_\_\_\_\_ Date \_\_\_\_\_

Model Specified \_\_\_\_\_ Quantity \_\_\_\_\_

Customer/Wholesaler \_\_\_\_\_

Contractor \_\_\_\_\_

Architect/Engineer \_\_\_\_\_



Flow (gpm ±15%)	Laser Marking	Specify
0.25	025	B-0103-F03
0.4	040	B-0103-F05
0.7	070	B-0103-F07
<del>0.9</del>	<del>090</del>	<del>B-0103-F10</del>
<del>1.2</del>	<del>120</del>	<del>B-0103-F12</del>
<del>1.4</del>	<del>140</del>	<del>B-0103-F15</del>
2.0	200	B-0103-F20

Product Specifications:  
 Rosespray w/ Flow Tower & Holder

Product Compliance:  
 ASME A112.18.1 / CSA B125.1  
 NSF 61 - Section 9  
 NSF 372 (Low Lead Content)