



T&S BRASS AND BRONZE WORKS, INC.

2 Saddleback Cove / P.O. Box 1088
Travelers Rest, SC 29690

Model No.

B-0101-B

Item No.

Travelers Rest, SC: 800-476-4103 • Simi Valley, CA: 800-423-0150 • Fax: 864-834-3518 • www.tsbrass.com



Ø 1 11/16" Rigid
Deck Flange

This Space for Architect/Engineer Approval

Job Name _____ Date _____

Model Specified _____ Quantity _____

Customer/Wholesaler _____

Contractor _____

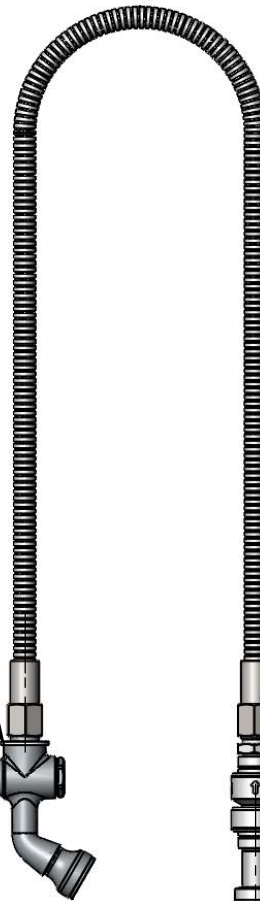
Architect/Engineer _____



Stainless Steel Washer
(Secures Spray Valve)

Push Button Spray
Valve w/ B-0103
Rosespray Outlet

1"
[26mm]
Maximum
Thickness



36" Flexible
Stainless Steel
Hose

053A Adapter
Between Vacuum
Breaker and Hose

B-0970-FE
Continuous
Pressure Vacuum
Breaker

1/2" NPSM
Male Inlet



Product Specifications:

**Spray Valve w/ Rosespray Outlet & 36" Flexible
Stainless Steel Hose w/ Adapter**

Product Compliance:

ASME A112.18.1 / CSA B125.1
NSF 61 - Section 9
NSF 372 (Low Lead Content)
EPA Act 2005 Non-Compliant (PRSV)
Product Not Designed/Intended for
Commercial Warewashing in North America

Drawn: JBC

Checked: JRM

Approved: JHB

Date: 12/16/16

Scale: 1:5

Sheet: 1 of 2

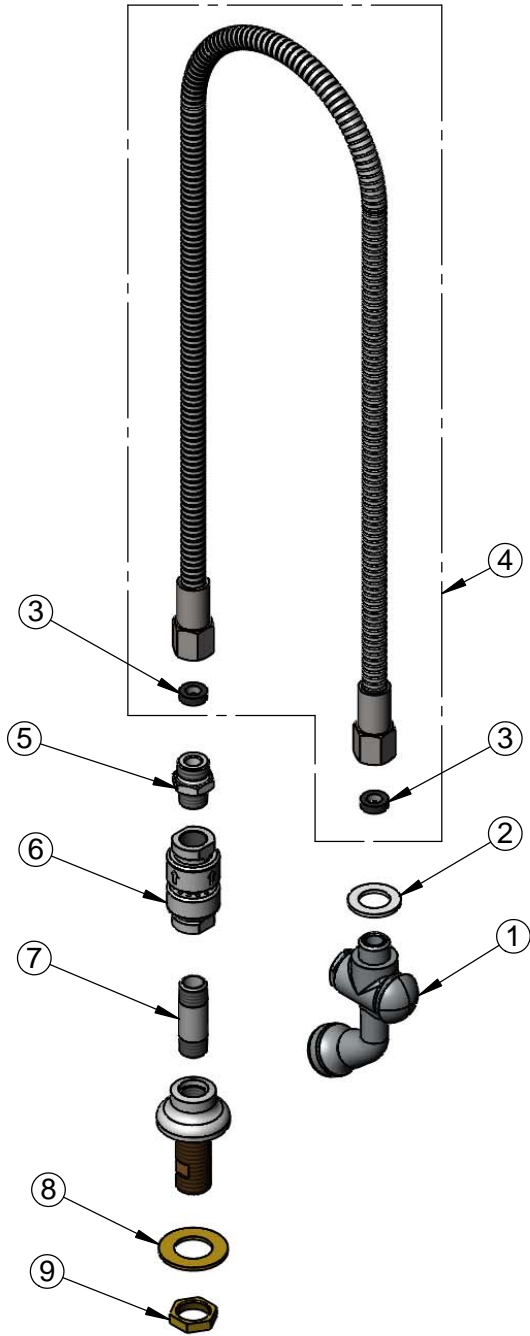


T&S BRASS AND BRONZE WORKS, INC.
 2 Saddleback Cove / P.O. Box 1088
 Travelers Rest, SC 29690

Model No.
B-0101-B

Item No.

Travelers Rest, SC: 800-476-4103 • Simi Valley, CA: 800-423-0150 • Fax: 864-834-3518 • www.tsbrass.com



| ITEM NO. | SALES NO. | DESCRIPTION |
|----------|-----------|-----------------------------------|
| 1 | 002857-40 | Spray Valve Assembly |
| 2 | 001010-40 | Washer, Stainless Steel |
| 3 | 010476-45 | #27 Washer |
| 4 | 017509-40 | 36" Flexible Stainless Steel Hose |
| 5 | 053A | Adapter, 3/8" NPT Male |
| 6 | B-0970-FE | 3/8" NPT Vacuum Breaker |
| 7 | 000357-40 | Nipple, 3/8" NPT x 2" |
| 8 | 000999-45 | Brass Lock Washer |
| 9 | 002954-45 | Shank Lock Nut |

Product Specifications:
**Spray Valve w/ Rosespray Outlet & 36" Flexible
 Stainless Steel Hose w/ Adapter**

Product Compliance:
 ASME A112.18.1 / CSA B125.1
 NSF 61 - Section 9
 NSF 372 (Low Lead Content)
 EPA Act 2005 Non-Compliant (PRSV)
 Product Not Designed/Intended for
 Commercial Warewashing in North America