

Limited One Year Warranty

T&S warrants to the original purchaser (other than for purposes of resale) that such product is free from defects in material and workmanship for a period of one (1) year from the date of purchase. During this one-year warranty period, if the product is found to be defective, T&S shall, at its options, repair and/or replace it. To obtain warranty service, products must be returned to...

T&S Brass and Bronze Works, Inc.
Attn: Warranty Repair Department
2 Saddleback Cove
Travelers Rest, SC 29690

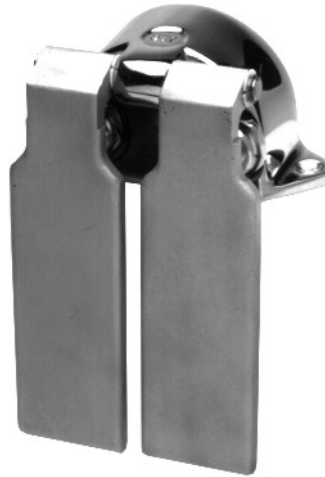
Shipping, freight, insurance, and other transportation charges of the product to T&S and the return of repaired or replaced product to the purchaser are the responsibility of the purchaser. Repair and/or replacement shall be made within a reasonable time after receipt by T&S of the returned product. This warranty does not cover items which have received secondary finishing or have been altered or modified after purchase, or for defects caused by physical abuse to or misuse of the product, or shipment of the products.

Any express warranty not provided herein, and any remedy for Breach of Contract which might arise, is hereby excluded and disclaimed. Any implied warranties of merchantability or fitness for a particular purpose are limited to one year in duration. Under no circumstances shall T&S be liable for loss of use or any special consequential costs, expenses or damages.

Some states do not allow limitations on how long an implied warranty lasts or the exclusion or limitation of incidental or consequential damages, so the above limitations or exclusions may not apply to you. Specific rights under this warranty and other rights vary from state to state.

P/N: 098-012396-45
Date: 990604
Drawn: CW
Checked: MAB 8-10-99
Approved: MVW 8-6-99

Installation and Maintenance Instructions



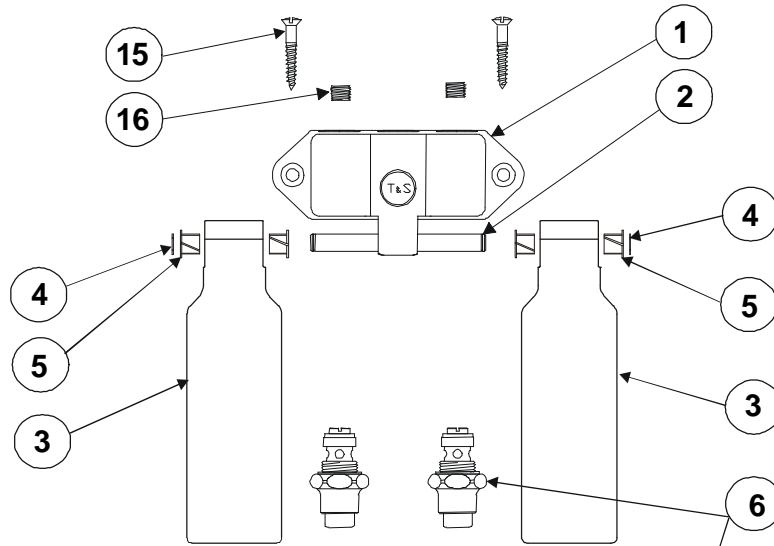
DOUBLE KNEE PEDAL VALVE B-0509

Deutsch: Installations- und
Wartungsanleitungen

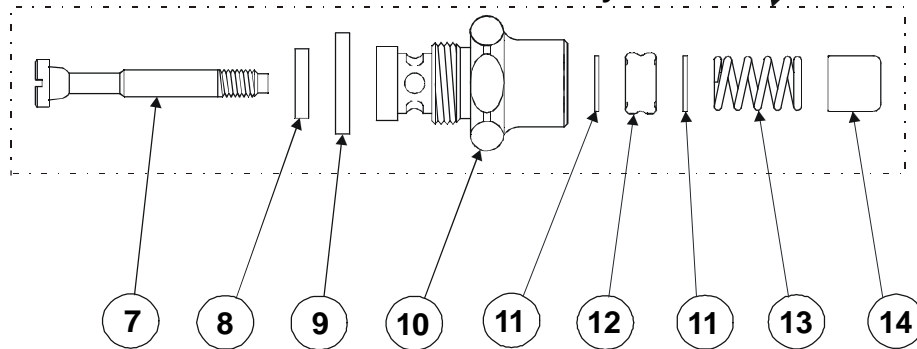
Español: la Instalación y las
Instrucciones de
Mantenimiento

Français: les Instructions
d'Installation et
d'Entretien

Exploded View



Bonnet Assembly



* Some items are listed for instructional purposes and may not be sold as separate parts.

Part Number Guide

Double Knee Pedal Valve Assembly

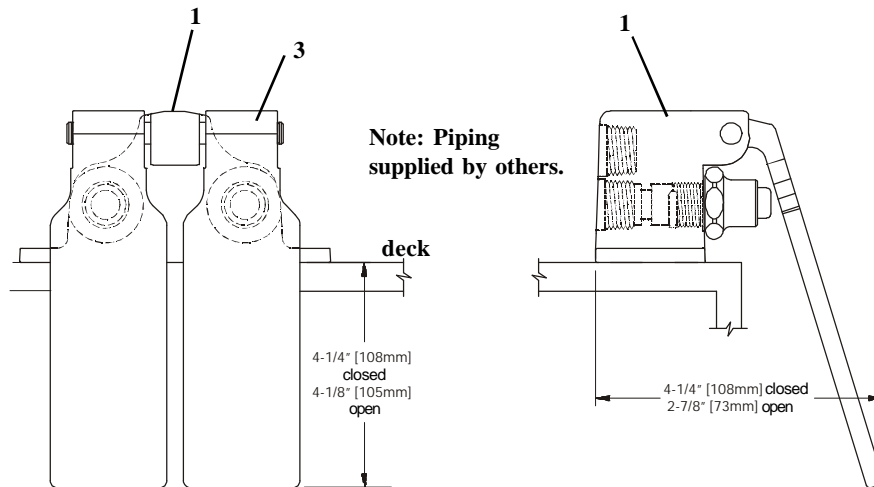
1	Body, Double Pedal	*
2	Shaft	*
3	Pedal, Knee	*
4	Snap-Ring, Shaft	012512-45
5	Bushing	001602-45
6	Asm, Bonnet	002856-40
7	Stem, Valve	009306-20
8	Seat Washer	001084-45
9	Washer, Bonnet Binding	001040-45
10	Bonnet	000608-25
11	Washer	000974-45
12	Packing Stem	000842-20
13	Spring	000895-45
14	Pushbutton	000753-25
15	Screw, Mounting	000915-45
16	Socket Plug	*

Note: Items 7-9 and 11-13 are included in the B-50-P parts kit.
Quantity of 4 each.

General Instructions

Installation:

1. Shut off water supply and drain lines.
2. Mount no.1 assembly to deck with two no.15's (See illustration.)



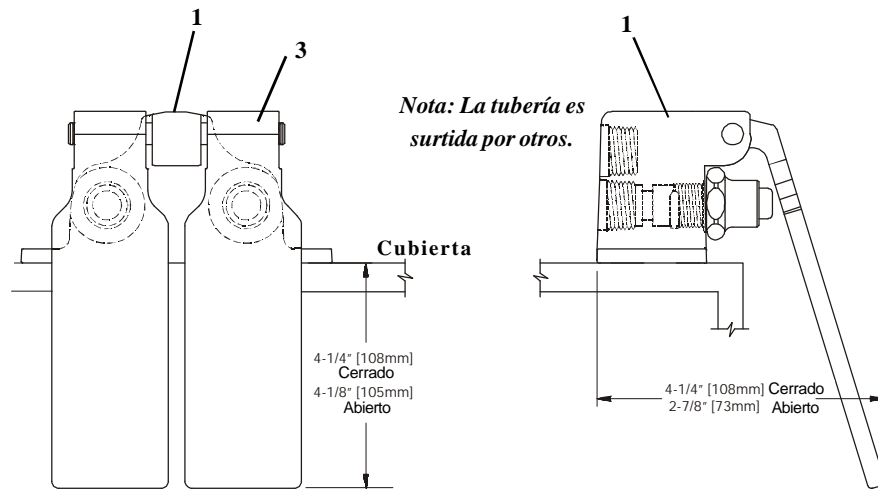
3. Apply Teflon tape or pipe joint compound to threads of supply lines. Install two (2) inlets (hot and cold sides) and one (1) outlet. Connect supply lines with 1/2" NPT piping.
4. Turn on water and check for leaks.

Note: To order replacement parts for the bonnet assembly, order the B-50-P parts kit.

Instrucciones Generales

Instalación:

1. Cierre la fuente de agua y desagüe las tuberías.
2. Monte el ensamble parte **No.1** a la cubierta con dos partes **No.15** (mire la ilustración.)



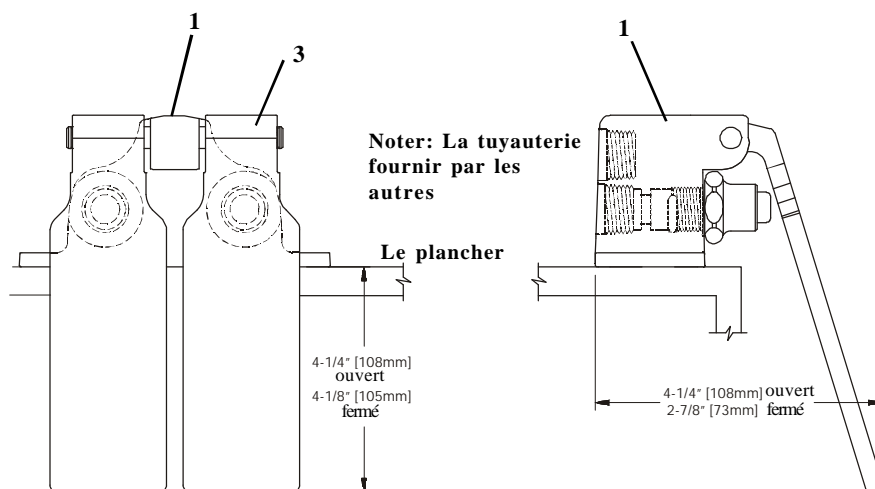
3. Aplique cinta de Teflon o compuesto de coyuntura a las roscas de las líneas de surtido. Instale dos (2) entradas (lados caliente y frío) y una (1) salida. Conecte las líneas de surtido con tubería de rosca 1/2" NPT.
4. Abra el agua e inspeccione por filtraciones.

Nota: Para ordenar repuestos para el ensamble de la cubierta, ordene el estuche de reparo B-50-P.

Instructions Générales

L'Installation:

1. Fermer la réserve de l'eau et égoutter la tuyauterie .
2. Attacher l'assemblage N°.1 au plancher avec deux N°.15's (Voir l'illustration).



3. Appliquer le ruban en Téflon ou le composé pour les tuyaux aux filets des tuyaux qui fournir l'eau . Installer deux (2) arrivées (les côtés chauds et froids les côtés chauds et froids) et une (1) sortie. Brancher les tuyaux qui fournir l'eau avec la tuyauterie de 1/2" NPT.

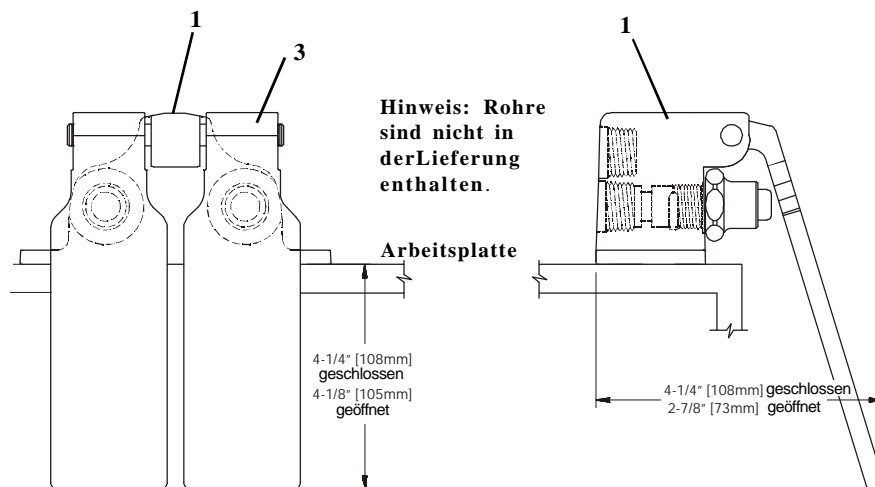
4. Recommencer l'eau et vérifier s'il y a des fuites

Noter. Pour les parties remplacements pour l'assemblage du capot, commander la trousse à outils B-50-p

Allgemeine Anleitungen

Installation:

1. Wasserzufuhr abstellen und Rohre leerlaufen lassen.
2. Montieren Sie die Einheit Nr. **1** zur Arbeitsplatte mit Hilfe von zwei Nr. **15**. (Siehe Zeichnung unten.)



3. Teflonband oder Rohrkitt zum Gewinde der Zufuhrleitungen auftragen. Installieren Sie zwei (2) Zuläufe (heiß und kalt) und einen (1) Ablauf. Verbinden Sie die Zufuhrleitungen mit 1/2 Zoll NPT Rohren.
4. Wasser andrehen und auf Dichtheit prüfen.

Hinweis: Falls Ersatzteile zur Reparatur der Einheit benötigt werden, bestellen Sie das B-50-P Ersatzteilkit.

RELATED T&S BRASS PRODUCT LINE



**B-0507
SINGLE PEDAL VALVE,
FLOOR MOUNTED**

T&S BRASS AND BRONZE WORKS, INC.

A firm commitment to application-engineered plumbing products

2 Saddleback Cove, P.O. Box 1088,
Travelers Rest, SC 29690

Phone: (864) 834-4102

Fax: (864) 834-3518

E-mail: tsbrass@tsbrass.com

T & S Brass-Europe

'De Veenhoeve'

Oude Nieuwveenseweg 84

2441 CW Nieuwveen

The Netherlands

