



**T&S BRASS AND BRONZE WORKS, INC.**  
 2 Saddleback Cove / P.O. Box 1088  
 Travelers Rest, SC 29690

Model No.  
**SQ-0095**

Item No.

Travelers Rest, SC: 800-476-4103 • Simi Valley, CA: 800-423-0150 • Fax: 864-834-3518 • www.tsbrass.com

This Space for Architect/Engineer Approval

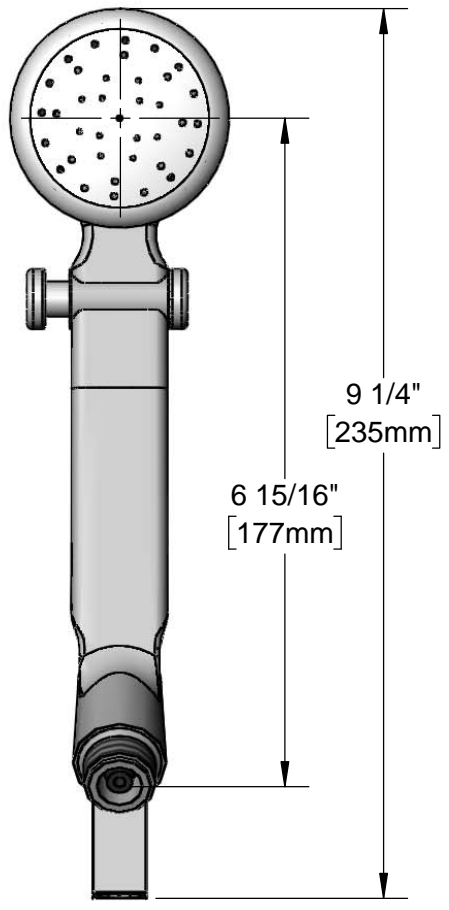
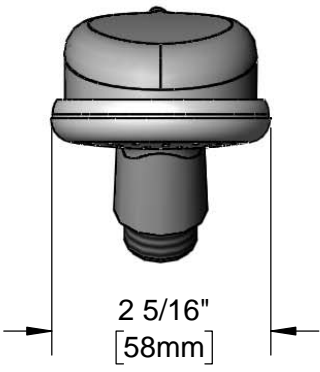
Job Name \_\_\_\_\_ Date \_\_\_\_\_

Model Specified \_\_\_\_\_ Quantity \_\_\_\_\_

Customer/Wholesaler \_\_\_\_\_

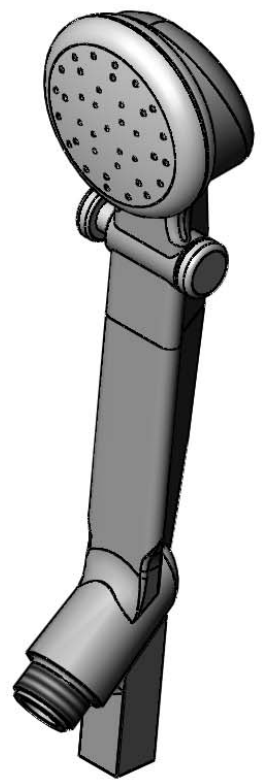
Contractor \_\_\_\_\_

Architect/Engineer \_\_\_\_\_



Thumb Valve  
 Switches Flow  
 Between 2.0 GPM  
 and 0.5 GPM

2.0 GPM Flow  
 Control Device  
 Installed in Inlet



Product Specifications:  
 Shower Queen Hand Spray with 2.0 GPM Flow Control Device and Thumb Valve Switch.

Product Compliance:  
 ASME A112.18.1 / CSA B125.1  
 NSF 61 Exempt (Non-Potable)  
 NSF 372 (Low Lead Content)