



T&S BRASS AND BRONZE WORKS, INC.
 2 Saddleback Cove / P.O. Box 1088
 Travelers Rest, SC 29690



REG. #A2601
 ISO #9001

Model No.
PA-C

Item No.

Travelers Rest, SC: 800-476-4103 Simi Valley, CA: 800-423-0150 Fax: 864-834-3518 www.tsbrass.com

This Space for Architect/Engineer Approval

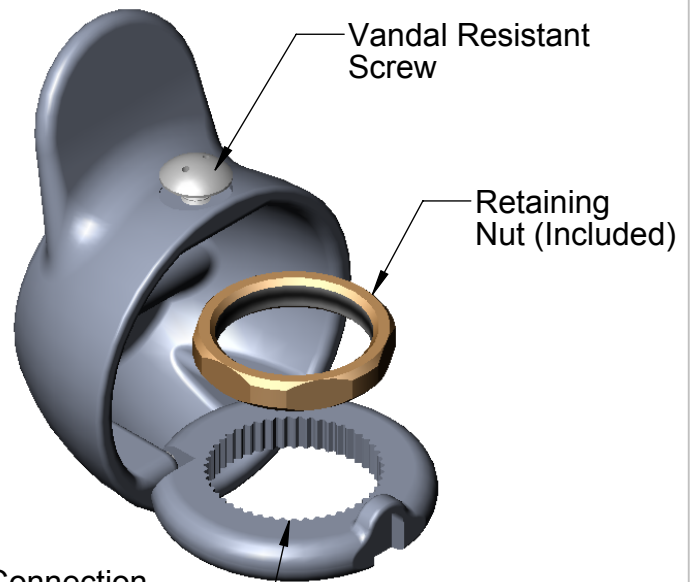
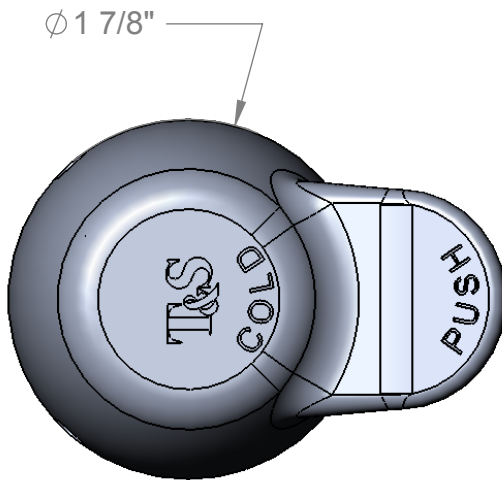
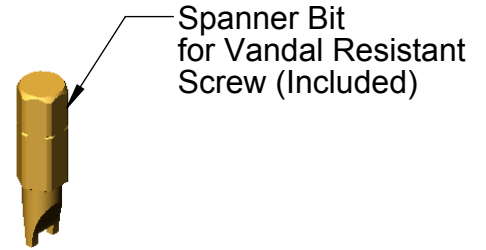
Job Name _____ Date _____

Model Specified _____ Quantity _____

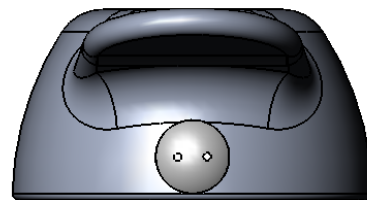
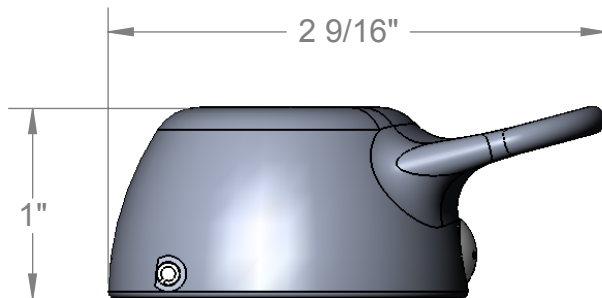
Customer/Wholesaler _____

Contractor _____

Architect/Engineer _____



Spline Handle Connection
 for Orientation with "PA"
 Type
 Metering Cartridge



Product Specifications:

Pivot Action Handle (Cold)
Chrome Plated Die Cast Cap w/ Retaining Nut
and Spanner Bit

Drawn GEF	Checked ARH 01/23/08	Approved /23/08
Scale: 1:1	Date: JHB	