



T&S BRASS AND BRONZE WORKS, INC.

2 Saddleback Cove / P.O. Box 1088
Travelers Rest, SC 29690



REG. #A2601
ISO #9001

Model No.

238A-PA Series

Item No.

Travelers Rest, SC: 800-476-4103 Simi Valley, CA: 800-423-0150 Fax: 864-834-3518 www.tsbrass.com

This Space for Architect/Engineer Approval

Job Name _____ Date _____

Model Specified _____ Quantity _____

Customer/Wholesaler _____

Contractor _____

Architect/Engineer _____



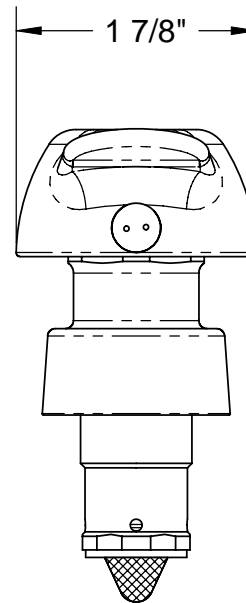
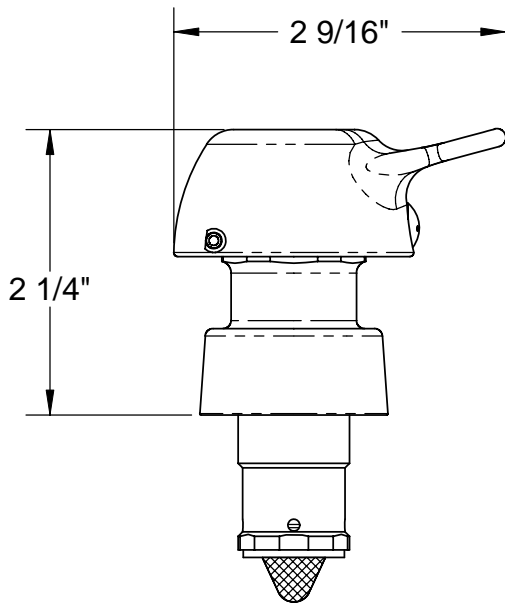
ADA Compliant

Blank Handle Shown



238A-PA Series

Model	Description
238AB-PA	Blank Handle
238AH-PA	"HOT" Handle
238AC-PA	"COLD" Handle



Product Specifications:

238A Metering Cartridge with Pivot Action Handle

Drawn DMH	Checked GEF	Approved JHB
Scale: NTS		Date: 07/09/08



T&S BRASS AND BRONZE WORKS, INC.

2 Saddleback Cove / P.O. Box 1088
Travelers Rest, SC 29690



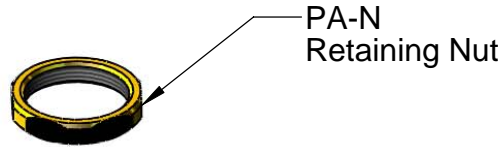
REG. #A2601
ISO #9001

Model No.

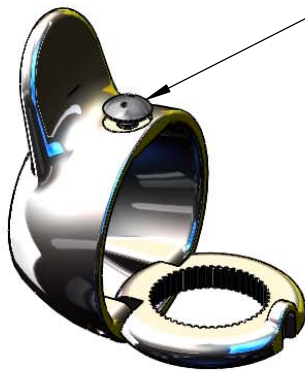
238A-PA Series

Item No.

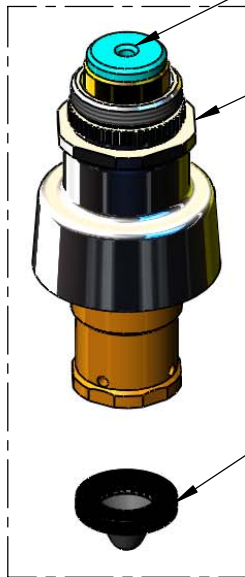
Travelers Rest, SC: 800-476-4103 Simi Valley, CA: 800-423-0150 Fax: 864-834-3518 www.tsbrass.com



PA-N
Retaining Nut



PA-B, PA-C, PA-H Handle Assemblies
w/ Vandal Resistant Screw.
Loosen Screw and Flip Handle
Up to Access Metering Adjustment
and Retaining Nut.



Access to Metering Adjustment
with a 3/32" Hex Key

Spline Handle Connection for
Orientation of Handle after Cartridge
Installation.

238A-PA
Pivot Action Metering Cartridge Assembly
(Includes PA-N)

017182-45
Filter Washer



014734-45
#8 Spanner Bit for
Vandal Resistant Screw
(Included)

Product Specifications:

238A Metering Cartridge with Pivot Action Handle

Drawn

DMH

Checked

GEF

Approved

JHB

Scale:

NTS

Date:

07/09/08