



T&S BRASS AND BRONZE WORKS, INC.
 2 Saddleback Cove / P.O. Box 1088
 Travelers Rest, SC 29690

Model No.
161A-W-WH4

Item No.

Travelers Rest, SC: 800-476-4103 • Simi Valley, CA: 800-423-0150 • Fax: 864-834-3518 • www.tsbrass.com

This Space for Architect/Engineer Approval

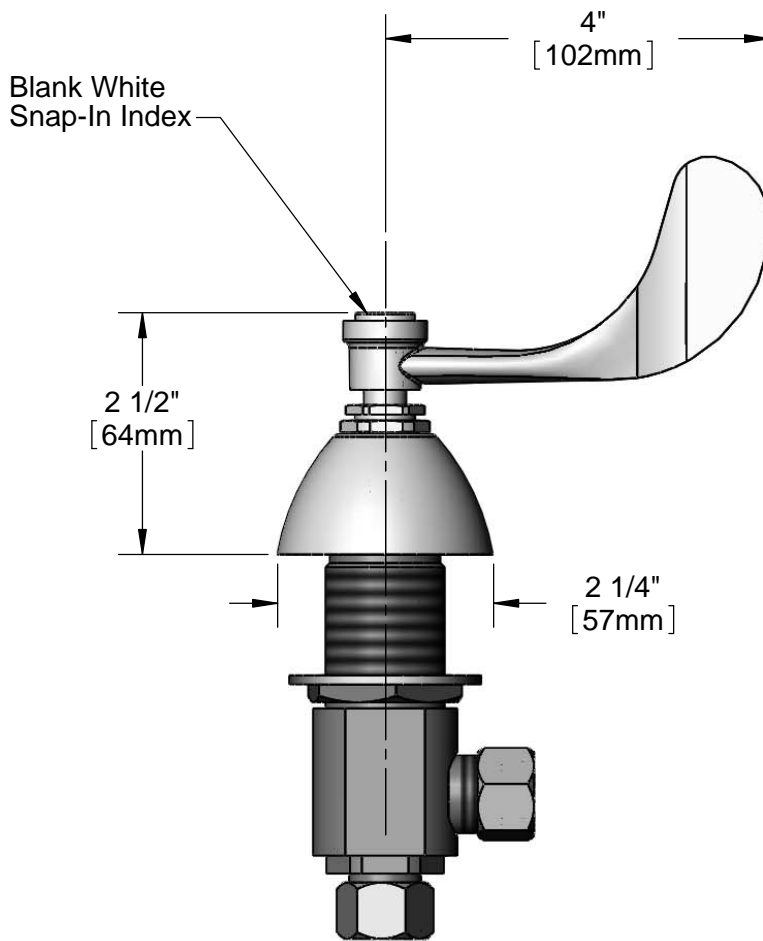
Job Name _____ Date _____

Model Specified _____ Quantity _____

Customer/Wholesaler _____

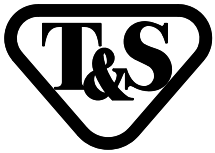
Contractor _____

Architect/Engineer _____



Product Specifications:
 B-0850 Side Body Cold Assembly w/ Cerama,
 4" Wrist Action Handle & White Snap-In Index

Drawn KJG	Checked JRM	Approved JHB
Scale: 1:2		Date: 01/11/13



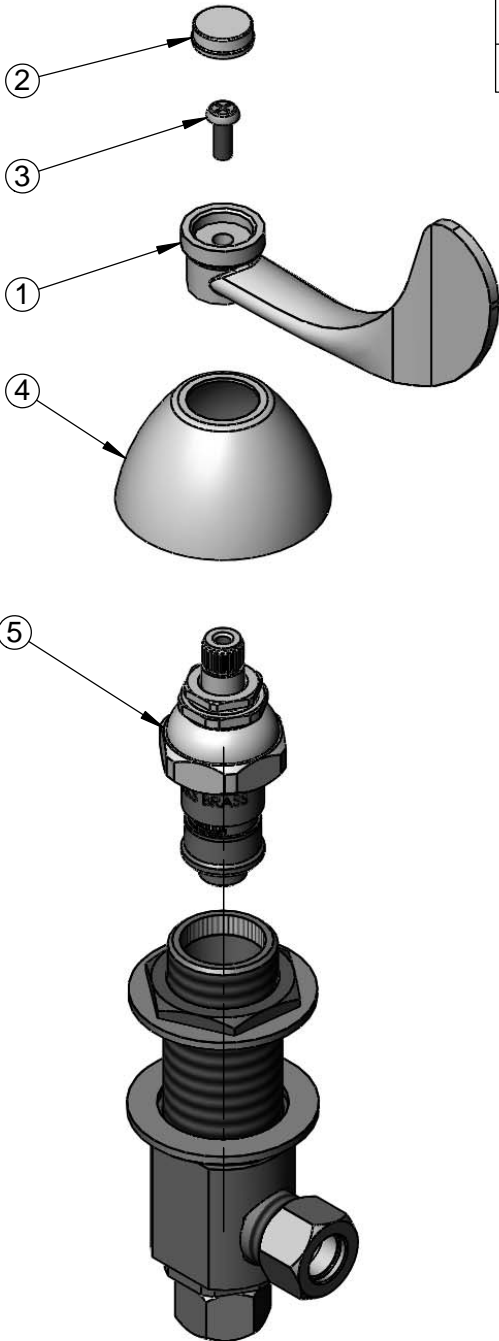
T&S BRASS AND BRONZE WORKS, INC.
 2 Saddleback Cove / P.O. Box 1088
 Travelers Rest, SC 29690

Model No.
161A-W-WH4

Item No.

Travelers Rest, SC: 800-476-4103 • Simi Valley, CA: 800-423-0150 • Fax: 864-834-3518 • www.tsbrass.com

ITEM NO.	SALES NO.	DESCRIPTION
1	B-WH4	4" Wrist Action Handle
2	001205-19	Index, Snap-In, Blank White
3	000925-45	Lab Handle Screw
4	001257-40	Bell Escutcheon
5	011617-25	Cerama Cartridge, LTC w/ Escutcheon Bonnet



Product Specifications:
 B-0850 Side Body Cold Assembly w/ Cerama,
 4" Wrist Action Handle & White Snap-In Index

Drawn KJG	Checked JRM	Approved JHB
Scale: NTS		Date: 01/11/13