



T&S BRASS AND BRONZE WORKS, INC.
 2 Saddleback Cove / P.O. Box 1088
 Travelers Rest, SC 29690

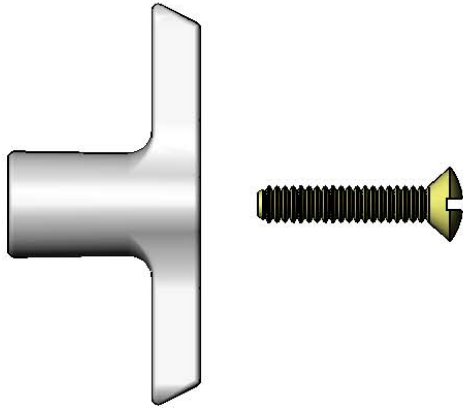
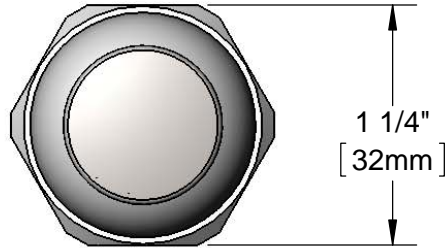
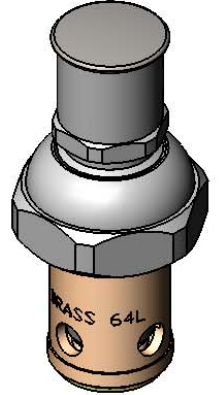
Model No.
124A

Item No.

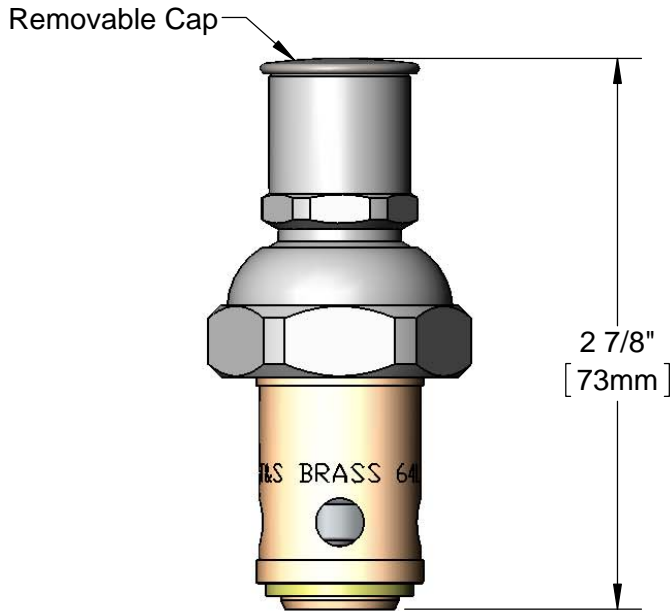
Travelers Rest, SC: 800-476-4103 • Simi Valley, CA: 800-423-0150 • Fax: 864-834-3518 • www.tsbrass.com

This Space for Architect/Engineer Approval

Job Name _____ Date _____
 Model Specified _____ Quantity _____
 Customer/Wholesaler _____
 Contractor _____
 Architect/Engineer _____



T-Handle Kit w/ Mounting Screw
 (Included)



Product Specifications:
 Loose Key Stop w/ T-Handle & Screw & Cap

Drawn KJG	Checked DMH	Approved JHB
Scale: 1:1		Date: 10/04/13



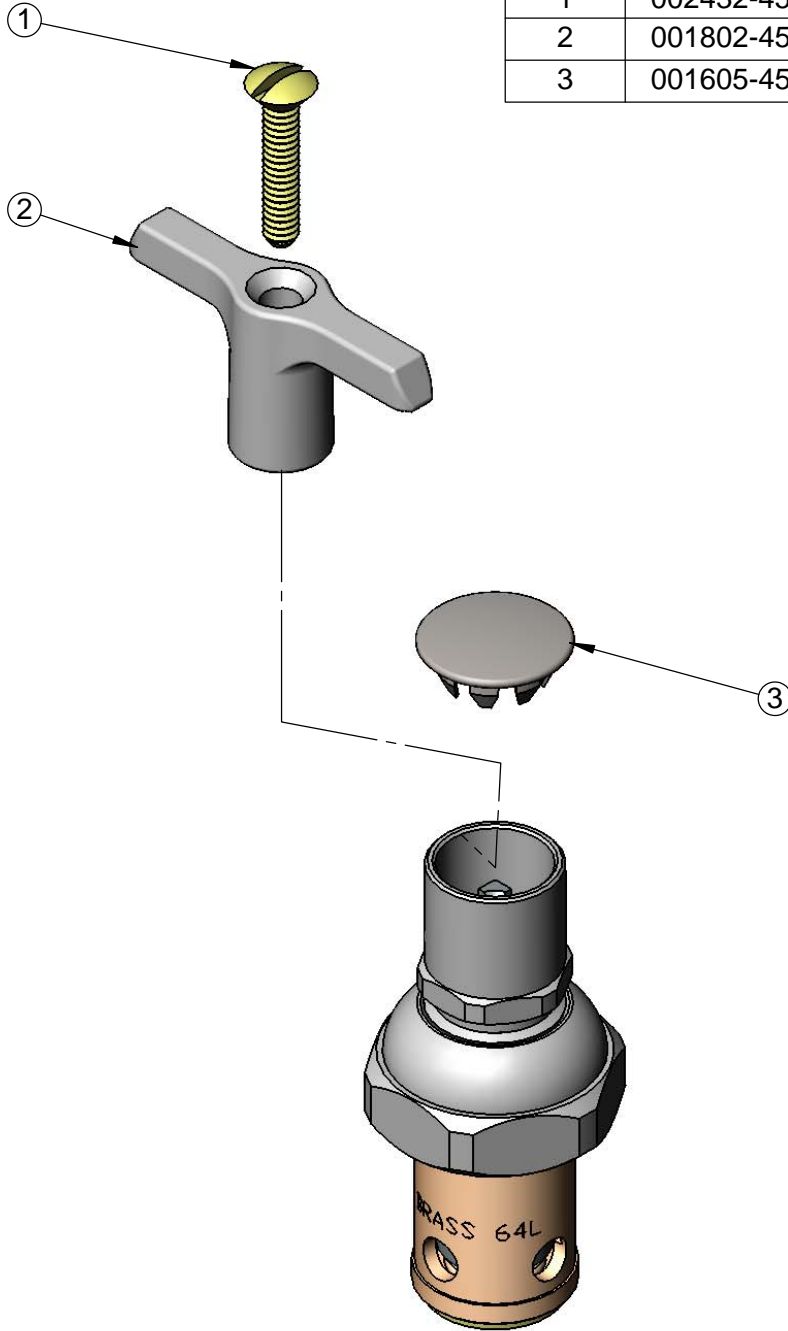
T&S BRASS AND BRONZE WORKS, INC.
 2 Saddleback Cove / P.O. Box 1088
 Travelers Rest, SC 29690

Model No.
124A

Item No.

Travelers Rest, SC: 800-476-4103 • Simi Valley, CA: 800-423-0150 • Fax: 864-834-3518 • www.tsbrass.com

ITEM NO.	SALES NO.	DESCRIPTION
1	002432-45	Screw, Tee Handle
2	001802-45	Handle, Supply Stop "T"
3	001605-45	Cap



Product Specifications:
 Loose Key Stop w/ T-Handle & Screw & Cap

Drawn KJG	Checked DMH	Approved JHB
Scale: NTS		Date: 10/04/13