



T&S BRASS AND BRONZE WORKS, INC.
 2 Saddleback Cove / P.O. Box 1088
 Travelers Rest, SC 29690

Model No.
116X

Item No.

Travelers Rest, SC: 800-476-4103 • Simi Valley, CA: 800-423-0150 • Fax: 864-834-3518 • www.tsbrass.com

This Space for Architect/Engineer Approval

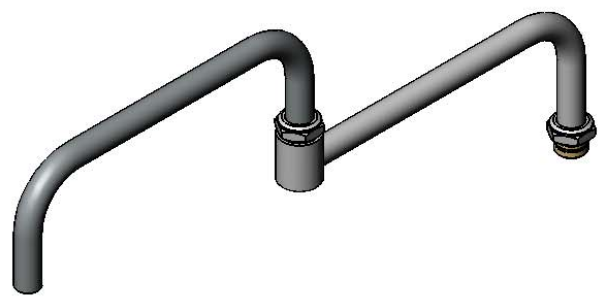
Job Name _____ Date _____

Model Specified _____ Quantity _____

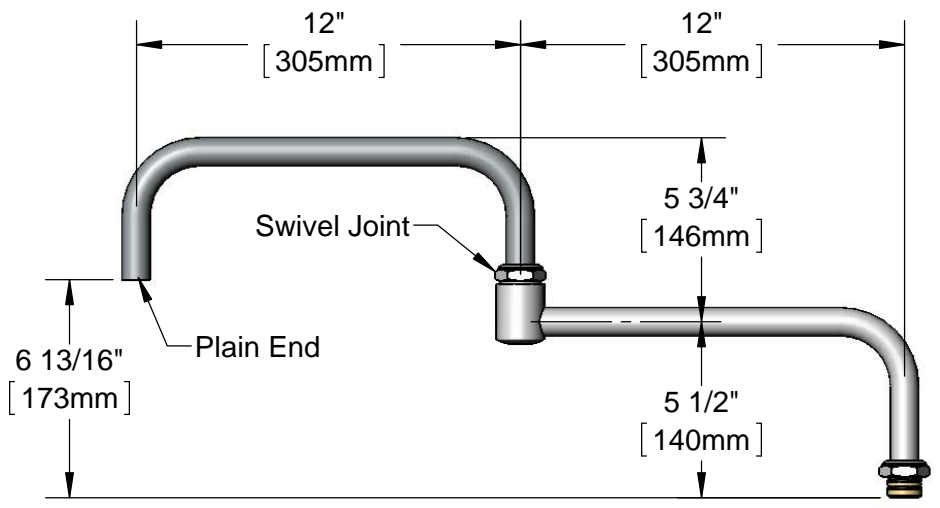
Customer/Wholesaler _____

Contractor _____

Architect/Engineer _____



Swivel Nut Fits
 All Standard T&S
 Big-Flo Swivel
 Outlets



Product Specifications:
 24" Big-Flo Double Joint Swing Nozzle w/ Plain End

Drawn KJG	Checked DMH	Approved JHB
Scale: 1:6		Date: 10/04/13



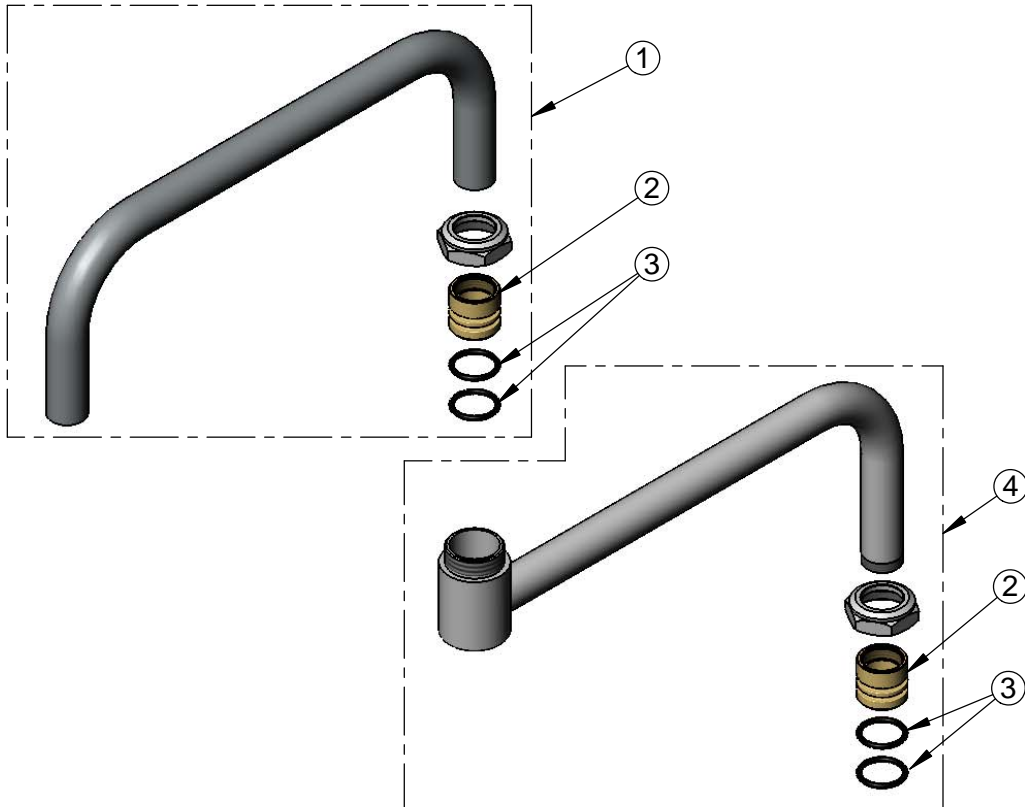
T&S BRASS AND BRONZE WORKS, INC.
 2 Saddleback Cove / P.O. Box 1088
 Travelers Rest, SC 29690

Model No.
116X

Item No.

Travelers Rest, SC: 800-476-4103 • Simi Valley, CA: 800-423-0150 • Fax: 864-834-3518 • www.tsbrass.com

ITEM NO.	SALES NO.	DESCRIPTION
1	117X	12" Big-Flo Front Section
2	000847-20	Swivel Piece
3	001068-45	O-ring
4	118X	12" Big-Flo Back Section



Product Specifications:
 24" Big-Flo Double Joint Swing Nozzle w/ Plain End

Drawn KJG	Checked DMH	Approved JHB
Scale: NTS		Date: 10/04/13