



T&S BRASS AND BRONZE WORKS, INC.
 2 Saddleback Cove / P.O. Box 1088
 Travelers Rest, SC 29690

Model No.
110A

Item No.

Travelers Rest, SC: 800-476-4103 • Simi Valley, CA: 800-423-0150 • Fax: 864-834-3518 • www.tsbrass.com

This Space for Architect/Engineer Approval

Job Name _____ Date _____

Model Specified _____ Quantity _____

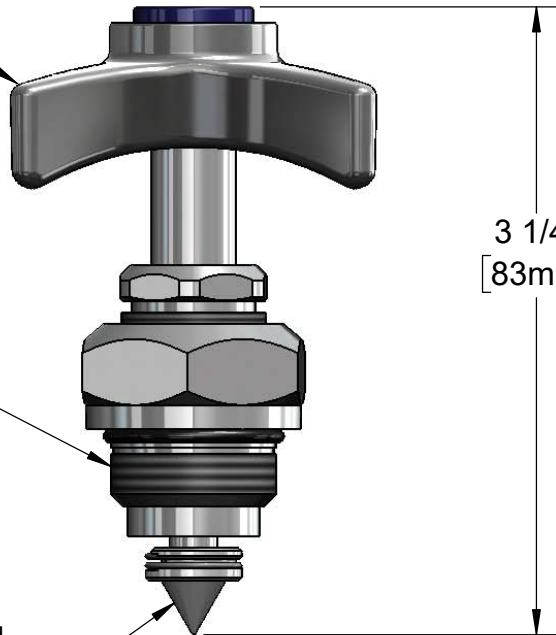
Customer/Wholesaler _____

Contractor _____

Architect/Engineer _____



Chrome Plated Brass
 Four Arm Handle with
 Color Coded Index
 Labeled "Gas"



3 1/4"
 [83mm]

7/8-20
 Male Thread

Floating Stainless Steel
 Cone Regulates Gas
 as Handle Is Turned

Product Specifications:
 Spindle Assembly for BL-4500-01 Series

Product Compliance:
 ANSI Z21.15a / CSA 9.1a (Gas Valves)
 ANSI A117.1 (ADA)



T&S BRASS AND BRONZE WORKS, INC.
2 Saddleback Cove / P.O. Box 1088
Travelers Rest, SC 29690

Model No.
110A

Item No.

Travelers Rest, SC: 800-476-4103 • Simi Valley, CA: 800-423-0150 • Fax: 864-834-3518 • www.tsbrass.com

ITEM NO.	SALES NO.	DESCRIPTION
1	209L-GAS	Dark Blue GAS Snap-In Index
2	000925-45	Lab Handle Screw
3	000059-40	4-Arm Lab Handle



Product Specifications:
Spindle Assembly for BL-4500-01 Series

Product Compliance:
ANSI Z21.15a / CSA 9.1a (Gas Valves)
ANSI A117.1 (ADA)