



T&S BRASS AND BRONZE WORKS, INC.
 2 Saddleback Cove / P.O. Box 1088
 Travelers Rest, SC 29690

Model No.
082X

Item No.

Travelers Rest, SC: 800-476-4103 • Simi Valley, CA: 800-423-0150 • Fax: 864-834-3518 • www.tsbrass.com

This Space for Architect/Engineer Approval

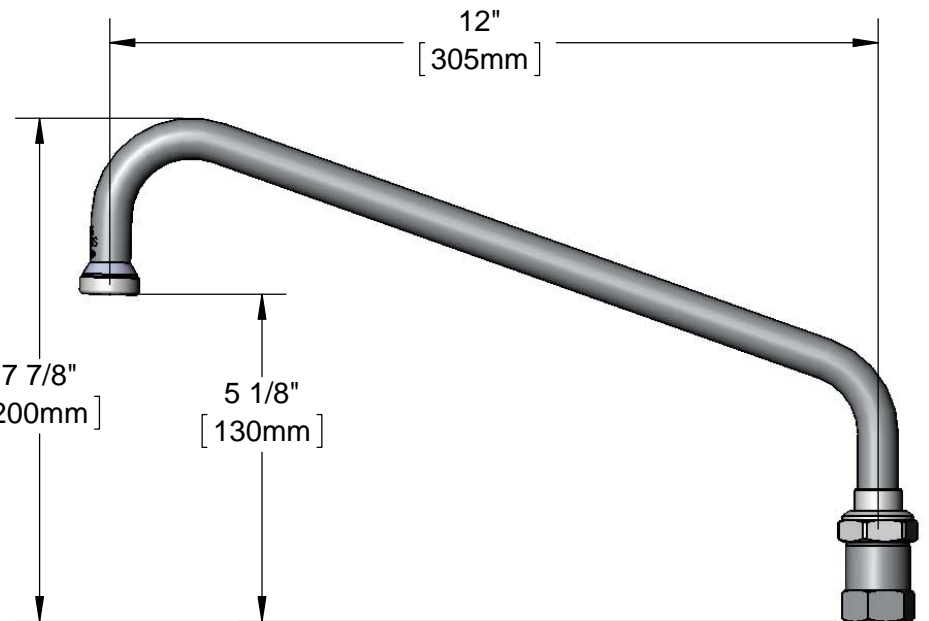
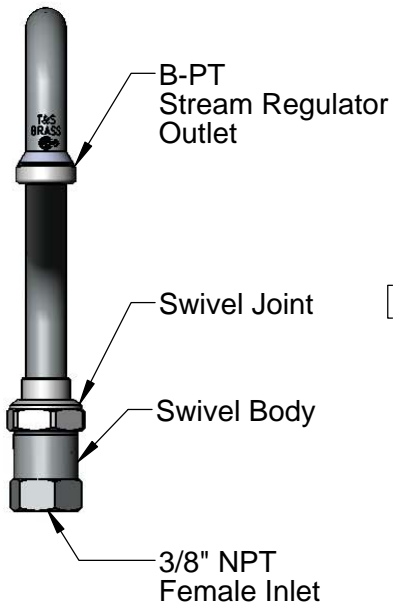
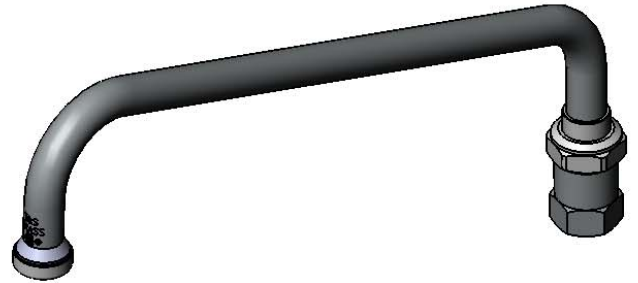
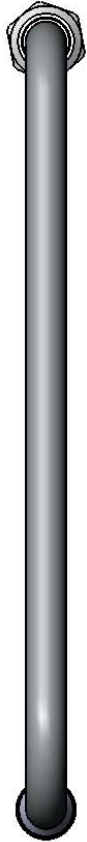
Job Name _____ Date _____

Model Specified _____ Quantity _____

Customer/Wholesaler _____

Contractor _____

Architect/Engineer _____



Product Specifications:
 12" Swing Nozzle w/ Stream Regulator Outlet & Swivel Body

Drawn KJG	Checked DMH	Approved JHB
Scale: 1:3		Date: 10/04/13



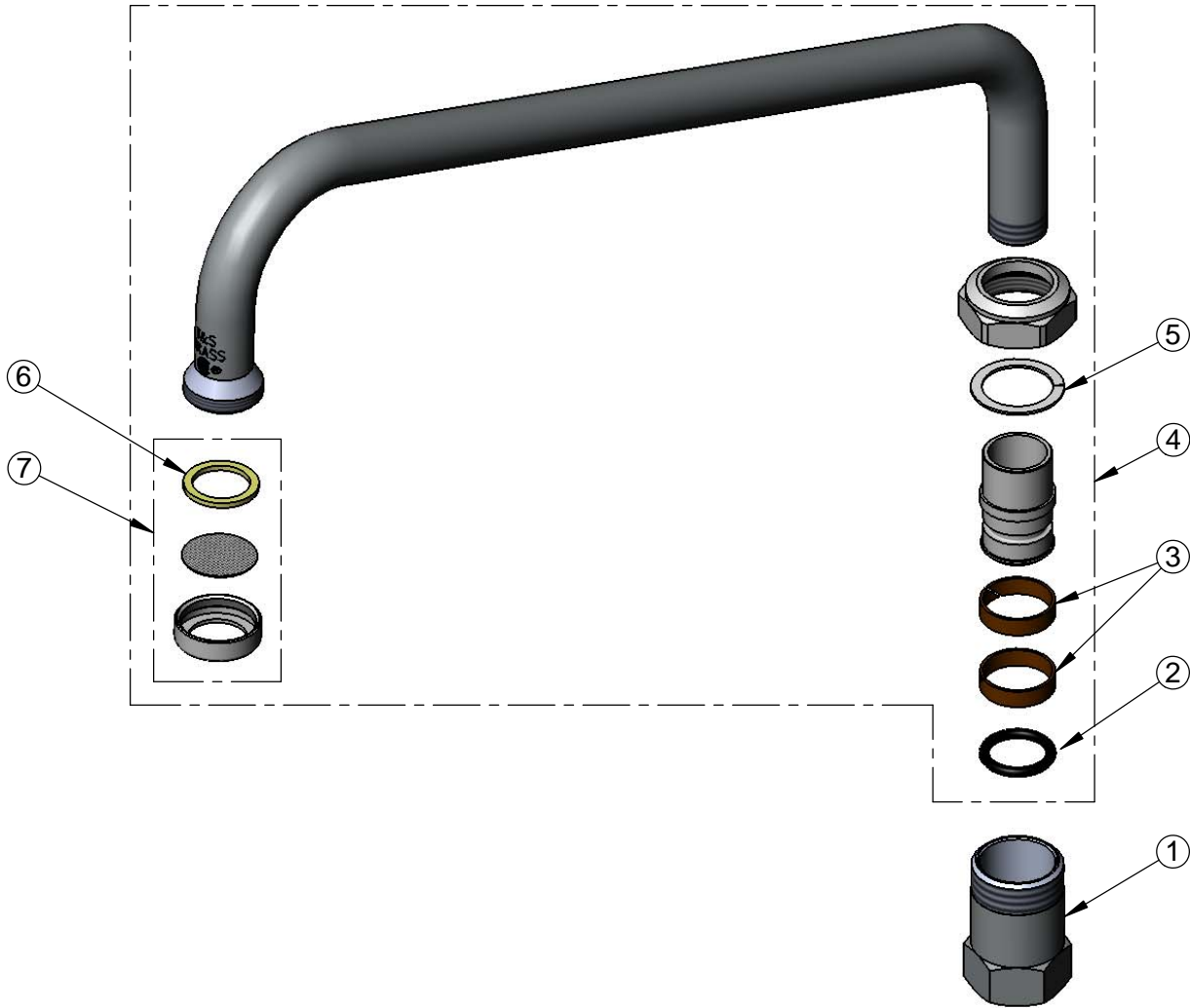
T&S BRASS AND BRONZE WORKS, INC.
 2 Saddleback Cove / P.O. Box 1088
 Travelers Rest, SC 29690

Model No.
082X

Item No.

Travelers Rest, SC: 800-476-4103 • Simi Valley, CA: 800-423-0150 • Fax: 864-834-3518 • www.tsbrass.com

ITEM NO.	SALES NO.	DESCRIPTION
1	054X	Swivel Body
2	001074-45	O-Ring
3	011429-45	Swivel Sleeves (2)
4	060X	8" Swivel Nozzle w/ Stream Regulator Outlet
5	009538-45	Swivel Washer
6	001048-45	Nozzle Tip Washer
7	B-PT	Stream Regulator Outlet



Product Specifications:
 12" Swing Nozzle w/ Stream Regulator Outlet & Swivel Body

Drawn KJG	Checked DMH	Approved JHB
Scale: NTS		Date: 10/04/13