



T&S BRASS AND BRONZE WORKS, INC.
 2 SADDLEBACK COVE / P.O. BOX 1088 / TRAVELERS REST, SC 29690
 PHONE 800-476-4103 FAX 864- 834-3518



Model No.

079A

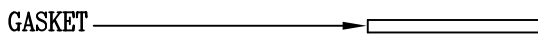
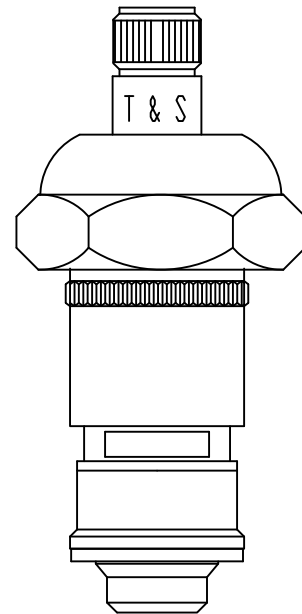
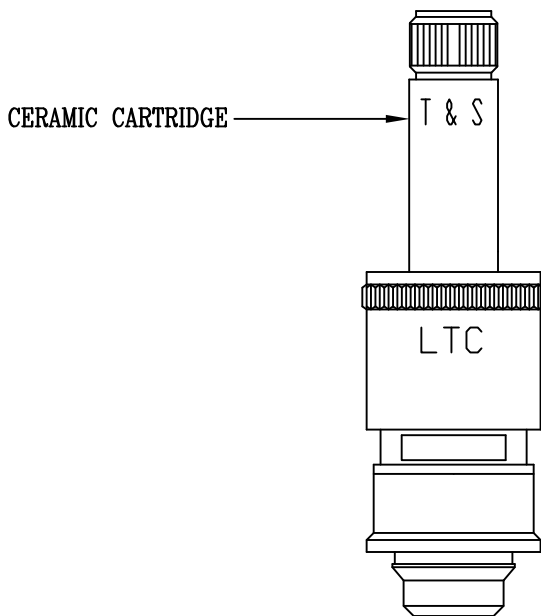
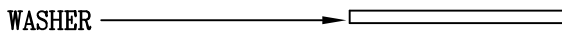
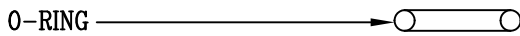
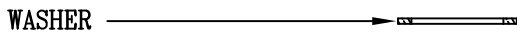
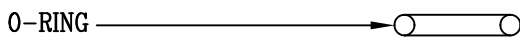
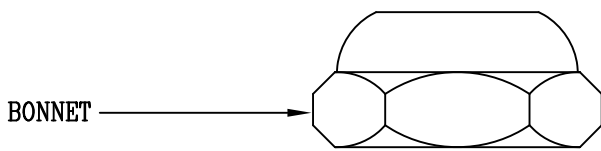
Item No.:

REG. #A2601
 ISO #9002

Job Name:

Architect/Engineer Approval:

Notes:



COMPLETED 79-A

Product Description:

Drawn:

Checked

Scale:

WJS

MVW

1 : 1

Approved

Date:

MVW

12/22/97

LEFT TURN CERAMIC CARTRIDGE ASM.
 FOR MODELS WITHOUT ESCUTCHEONS