



T&S BRASS AND BRONZE WORKS, INC.

2 SADDLEBACK COVE / P.O. BOX 1088 / TRAVELERS REST, SC 29690

PHONE 800-476-4103

FAX 803-834-3518



REG.#A2601  
ISO #9002

Model No.

078X

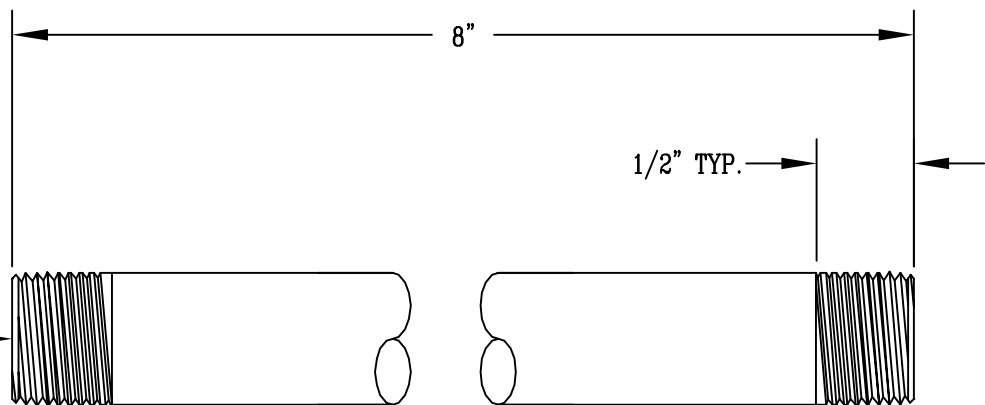
Item No.:

Job Name:

Architect/Engineer Approval:

Notes:

3/8" NPT MALE  
BOTH ENDS



Product Description:

3/8" NPT NIPPLE - 8" LENGTH

Drawn:

WJS

Checked

JRM

Scale:

1' = 1'

Approved

JHB

Date:

06/15/06