



**T&S BRASS AND BRONZE WORKS, INC.**  
 2 Saddleback Cove / P.O. Box 1088  
 Travelers Rest, SC 29690

Model No.  
**062X-CZ**

Item No.

Travelers Rest, SC: 800-476-4103 • Simi Valley, CA: 800-423-0150 • Fax: 864-834-3518 • www.tsbrass.com

This Space for Architect/Engineer Approval

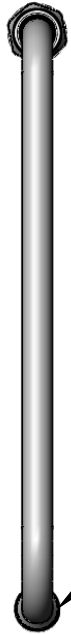
Job Name \_\_\_\_\_ Date \_\_\_\_\_

Model Specified \_\_\_\_\_ Quantity \_\_\_\_\_

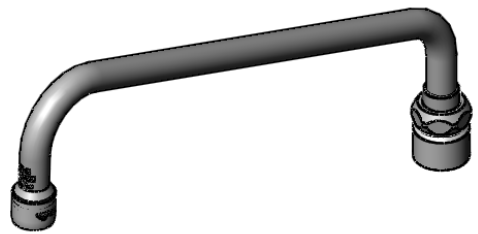
Customer/Wholesaler \_\_\_\_\_

Contractor \_\_\_\_\_

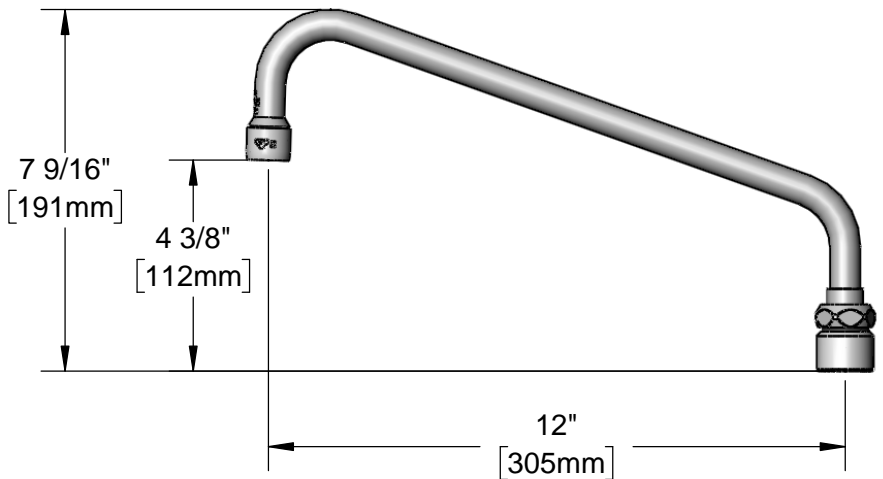
Architect/Engineer \_\_\_\_\_



Stream Regulator  
 Outlet



Swivel Joint  
 EZ-SWIVEL-CZ  
 Adapts Chicago, Zurn  
 & Qualis Faucets  
 For T&S Brass Nozzles



Product Specifications:  
 12" Swing Nozzle With Stream Regulator Outlet and Swivel Adapter for  
 Chicago, Zurn & Qualis Faucets

Product Compliance:  
 ASME A112.18.1 / CSA B125.1  
 NSF 61 - Section 9  
 NSF 372 (Low Lead Content)