



T&S BRASS AND BRONZE WORKS, INC.
 2 Saddleback Cove / P.O. Box 1088
 Travelers Rest, SC 29690

Model No.
060X-LAM-VR

Item No.

Travelers Rest, SC: 800-476-4103 • Simi Valley, CA: 800-423-0150 • Fax: 864-834-3518 • www.tsbrass.com

This Space for Architect/Engineer Approval

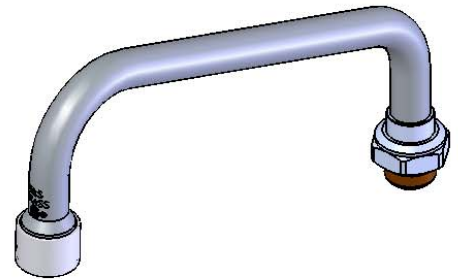
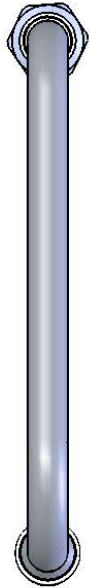
Job Name _____ Date _____

Model Specified _____ Quantity _____

Customer/Wholesaler _____

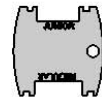
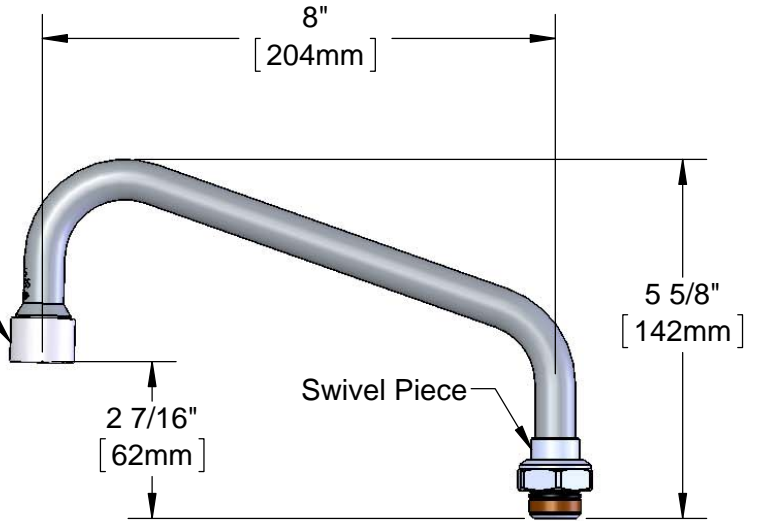
Contractor _____

Architect/Engineer _____



B-0199-21-VF
 2.2 GPM VR
 Laminar Flow Device

Swivel Joint Fits
 All Standard T&S
 Swivel Outlets



Vandal Resistant Key
 P/N 015425-45
 (Included)

Product Specifications:

8" Swing Nozzle w/ 2.2 GPM VR Laminar Flow Device

Drawn KJG	Checked DMH	Approved JHB
Scale: 1:3	Date: 10/04/13	