



T&S BRASS AND BRONZE WORKS, INC.
 2 Saddleback Cove / P.O. Box 1088
 Travelers Rest, SC 29690

Model No.
059A

Item No.

Travelers Rest, SC: 800-476-4103 • Simi Valley, CA: 800-423-0150 • Fax: 864-834-3518 • www.tsbrass.com

This Space for Architect/Engineer Approval

Job Name _____ Date _____

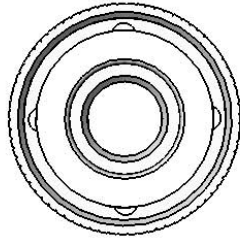
Model Specified _____ Quantity _____

Customer/Wholesaler _____

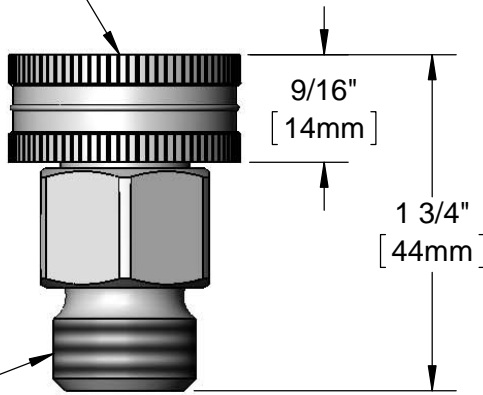
Contractor _____

Architect/Engineer _____

GH Washer
 (Included)



3/4"-11.5 NH Female
 Garden Hose Thread



Finish: Rough Chrome Plated

Product Specifications:
 3/4" GH Female x 3/4"-14 UN Male Adapter

Drawn KJG	Checked DMH	Approved JHB
Scale: 1:1		Date: 10/04/13