



T&S BRASS AND BRONZE WORKS, INC.
 2 Saddleback Cove / P.O. Box 1088
 Travelers Rest, SC 29690

Model No.
019254-45

Item No.

Travelers Rest, SC: 800-476-4103 • Simi Valley, CA: 800-423-0150 • Fax: 864-834-3518 • www.tsbrass.com

This Space for Architect/Engineer Approval

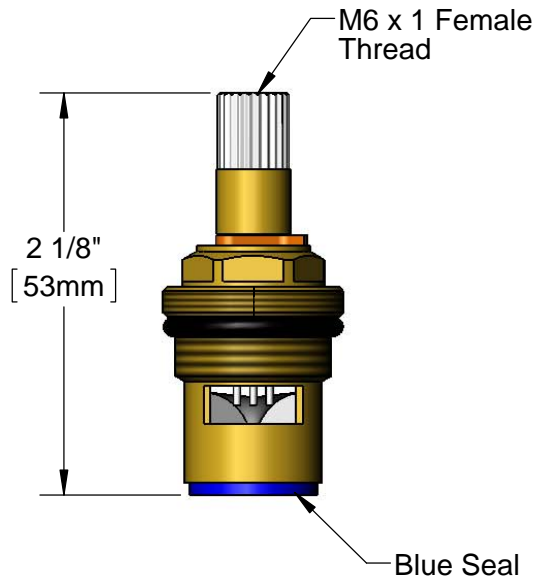
Job Name _____ Date _____

Model Specified _____ Quantity _____

Customer/Wholesaler _____

Contractor _____

Architect/Engineer _____



Note:
 1. Rotate Clockwise to Close

Product Specifications:
 Ceramic Cartridge, EA-2DF Series

| | | |
|----------------------|-----------------------|--------------------------|
| Drawn KJG | Checked JRM | Approved JHB |
| Scale: 1:1 | | Date: 05/14/15 |