



T&S BRASS AND BRONZE WORKS, INC.
 2 Saddleback Cove / P.O. Box 1088
 Travelers Rest, SC 29690

Model No.
019105-40

Item No.

Travelers Rest, SC: 800-476-4103 • Simi Valley, CA: 800-423-0150 • Fax: 864-834-3518 • www.tsbrass.com

NOTE: This Product Is Not Designed And/Or Rated For Potable / Drinking Water Applications

EPAct 2005 Compliant

This Space for Architect/Engineer Approval

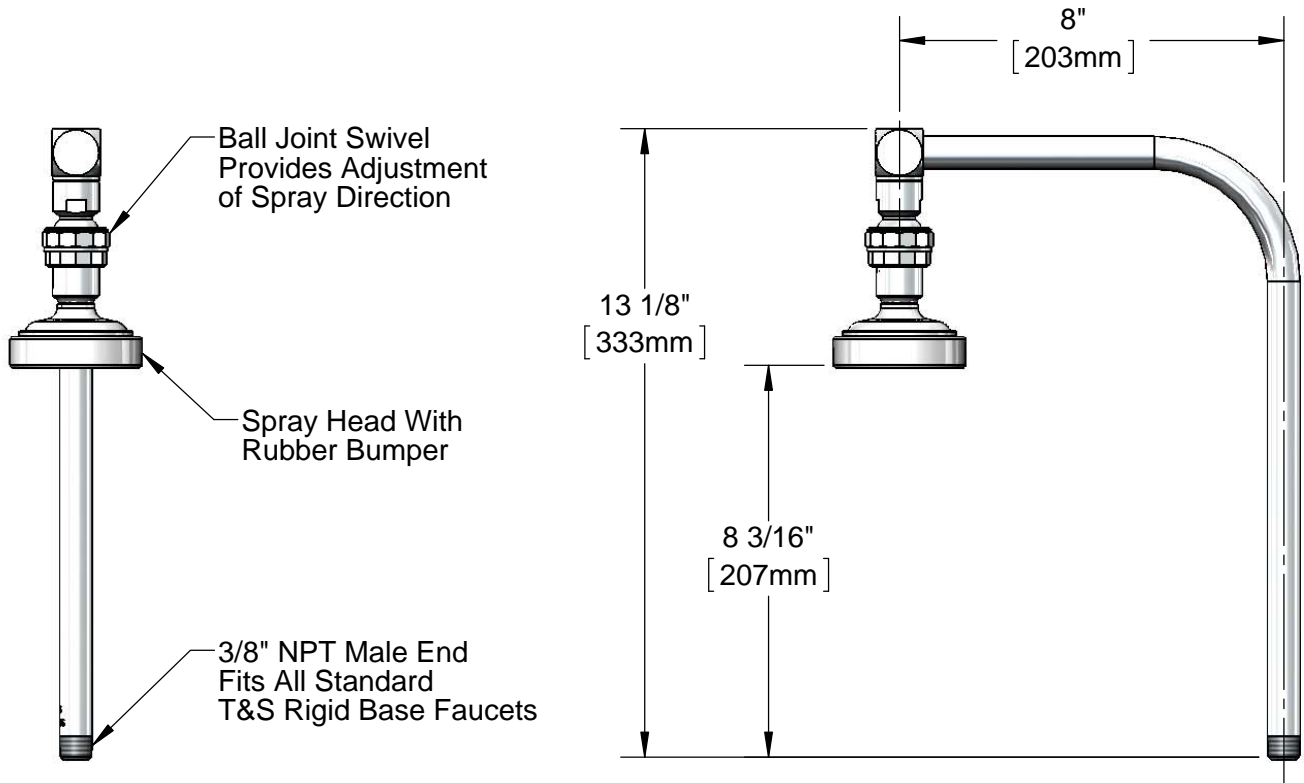
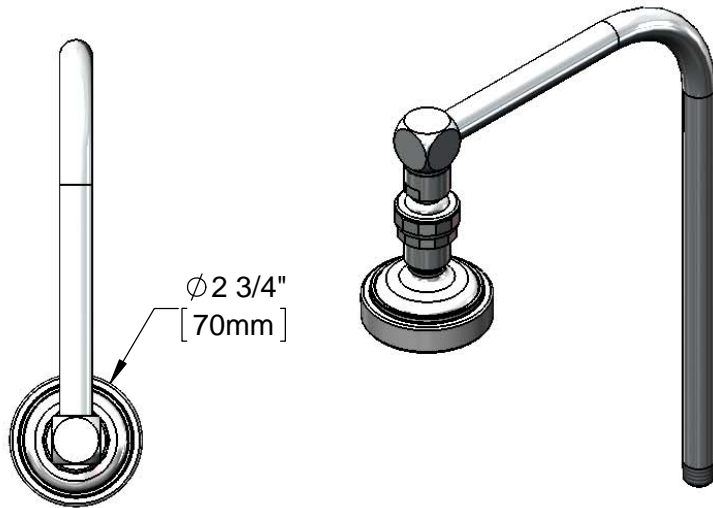
Job Name _____ Date _____

Model Specified _____ Quantity _____

Customer/Wholesaler _____

Contractor _____

Architect/Engineer _____



Product Specifications:
 Rigid Nozzle w/ Ball Joint Swivel and 1.42 GPM Spray Head

Drawn GEF	Checked DMH	Approved JHB
---------------------	-----------------------	------------------------

Scale: 1:4	Date: 01/17/14
----------------------	--------------------------