



T&S BRASS AND BRONZE WORKS, INC.
 2 Saddleback Cove / P.O. Box 1088
 Travelers Rest, SC 29690

Model No.
018670-45

Item No.

Travelers Rest, SC: 800-476-4103 • Simi Valley, CA: 800-423-0150 • Fax: 864-834-3518 • www.tsbrass.com

This Space for Architect/Engineer Approval

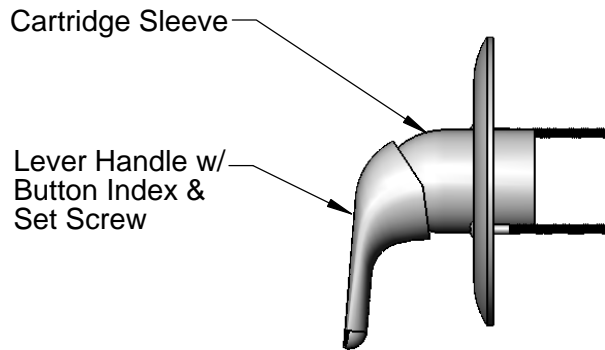
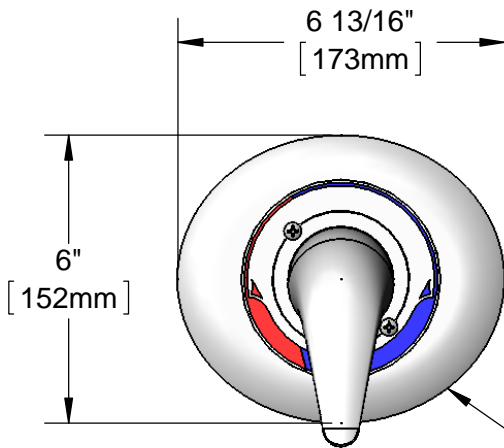
Job Name _____ Date _____

Model Specified _____ Quantity _____

Customer/Wholesaler _____

Contractor _____

Architect/Engineer _____



Cover Plate w/
Temperature Index &
Screws

For Use w/ B-3404-PBV & B-3504-PBV
 Pressure Balance Shower Rough-In Valves
 (Sold Separately)

Product Specifications:
 Polished Chrome Valve Only Trim Kit for B-3400 / B-3500 Series

Drawn DMH	Checked KJG	Approved JHB
Scale: 1:4		Date: 01/09/13