



**T&S BRASS AND BRONZE WORKS, INC.**  
 2 Saddleback Cove / P.O. Box 1088  
 Travelers Rest, SC 29690

Model No.  
**018596-45**

Item No.

Travelers Rest, SC: 800-476-4103 • Simi Valley, CA: 800-423-0150 • Fax: 864-834-3518 • www.tsbrass.com

This Space for Architect/Engineer Approval

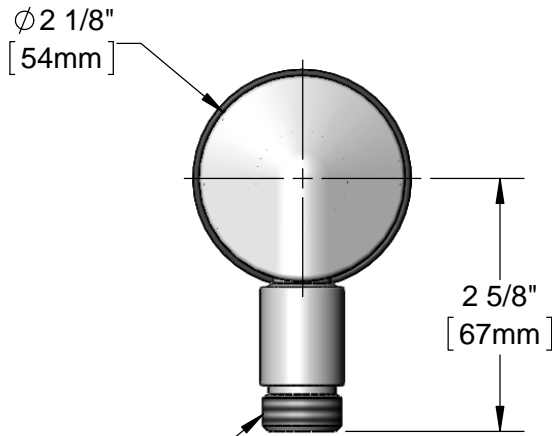
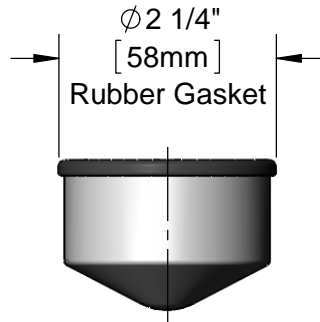
Job Name \_\_\_\_\_ Date \_\_\_\_\_

Model Specified \_\_\_\_\_ Quantity \_\_\_\_\_

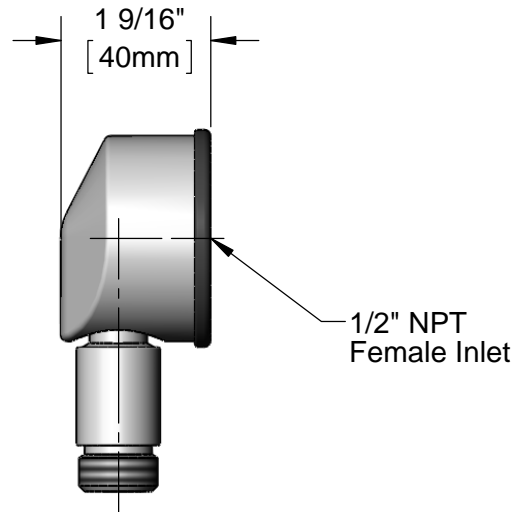
Customer/Wholesaler \_\_\_\_\_

Contractor \_\_\_\_\_

Architect/Engineer \_\_\_\_\_



1/2" NPSM Male Outlet  
 (Connects to 018595-45  
 Hand Shower Hose)



Product Specifications:  
 Hand Shower Wall Supply

Drawn <b>DMH</b>	Checked <b>KJG</b>	Approved <b>JHB</b>
Scale: <b>1:2</b>		Date: <b>01/09/13</b>