



T&S BRASS AND BRONZE WORKS, INC.
 2 Saddleback Cove / P.O. Box 1088
 Travelers Rest, SC 29690

Model No.
018564-45

Item No.

Travelers Rest, SC: 800-476-4103 • Simi Valley, CA: 800-423-0150 • Fax: 864-834-3518 • www.tsbrass.com

This Space for Architect/Engineer Approval

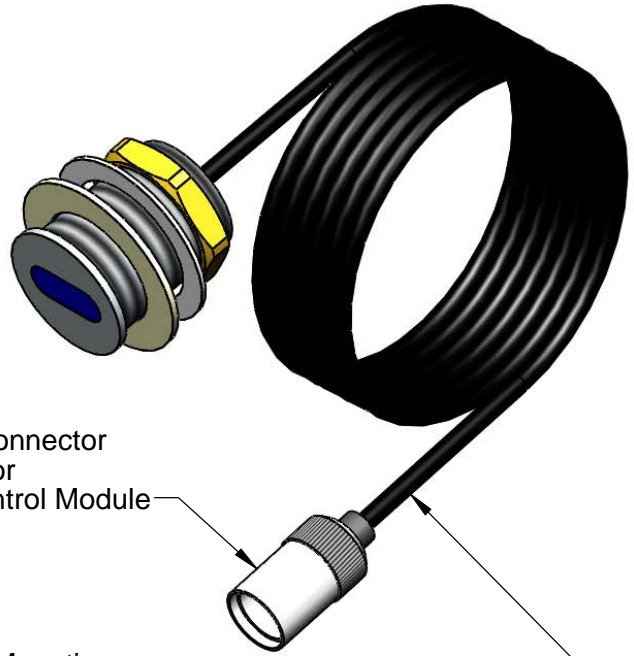
Job Name _____ Date _____

Model Specified _____ Quantity _____

Customer/Wholesaler _____

Contractor _____

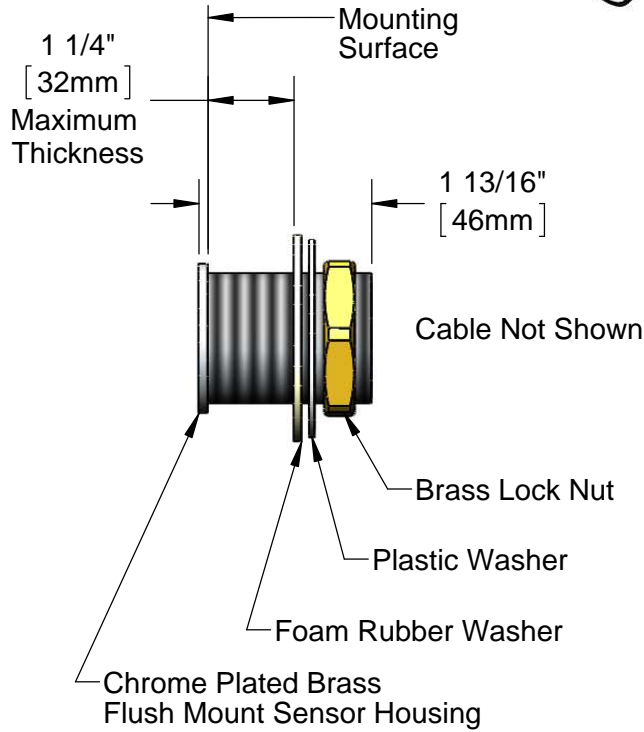
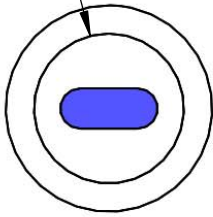
Architect/Engineer _____



Water Resistant Cable Connector
 Attaches to Faucet Sensor
 Cable Connection on Control Module

72" ±3" [1829] Long
 Sensor Cable

Ø 1 9/16"
 [40mm]



Rough-In Requirement:
 Ø 1 3/8" Hole

Product Specifications:

Remote Flush Mount Sensor with 72" Cable

Drawn GEF	Checked DMH	Approved JHB
Scale: 1:2		Date: 11/29/12