



T&S BRASS AND BRONZE WORKS, INC.
 2 Saddleback Cove / P.O. Box 1088
 Travelers Rest, SC 29690

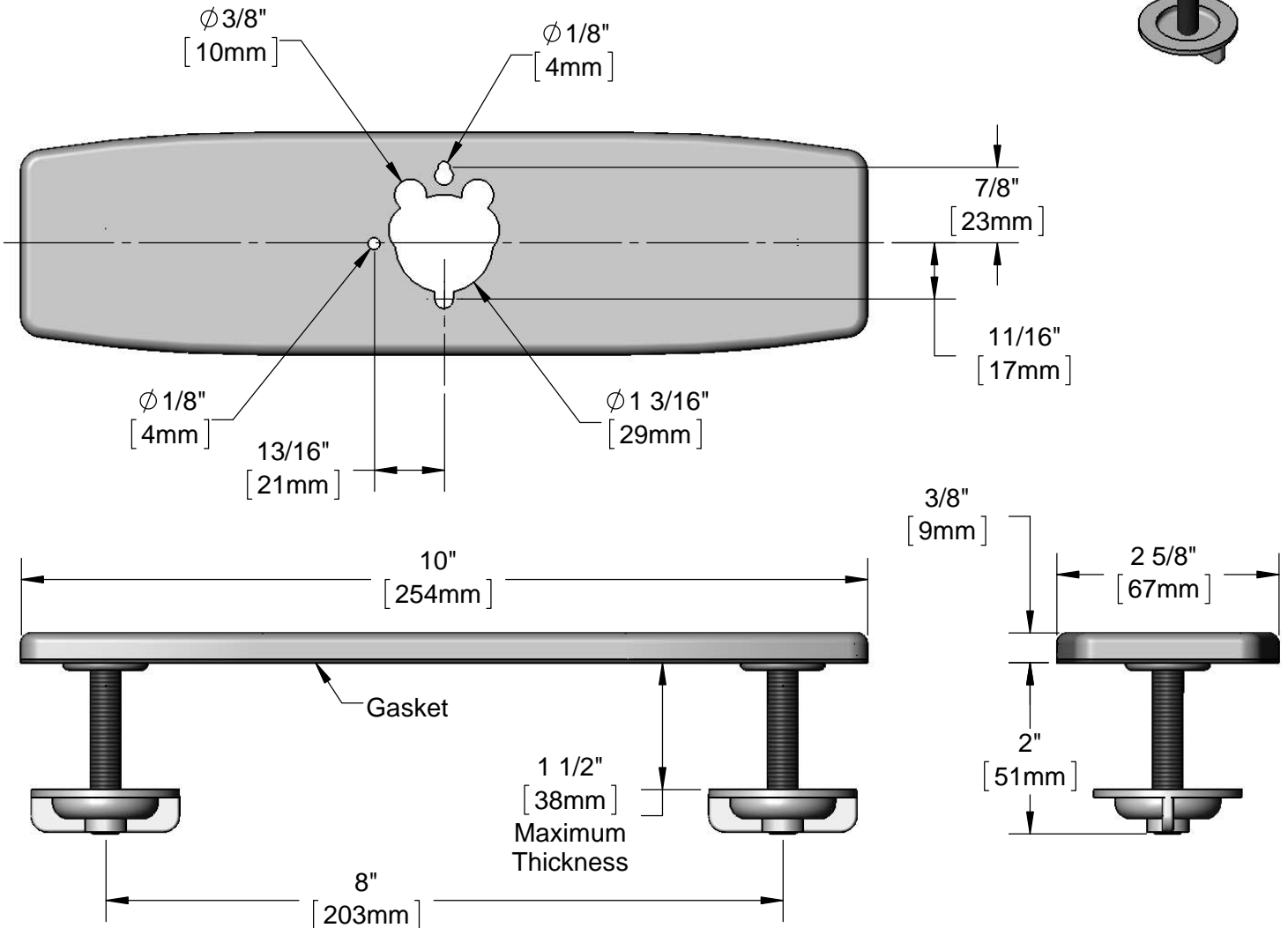
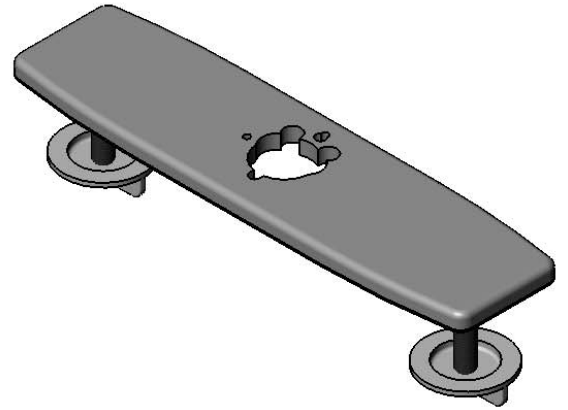
Model No.
018507-40

Item No.

Travelers Rest, SC: 800-476-4103 • Simi Valley, CA: 800-423-0150 • Fax: 864-834-3518 • www.tsbrass.com

This Space for Architect/Engineer Approval

Job Name _____ Date _____
 Model Specified _____ Quantity _____
 Customer/Wholesaler _____
 Contractor _____
 Architect/Engineer _____



Rough-In Requirement:

- $\phi 1"$ [25mm] Center Hole
- (2) $\phi 1 1/8"$ [28mm] Mounting Holes

Product Specifications:
 8" Forged Deck Plate w/ Mounting Hardware
 (Chrome Plated Brass)

Product Compliance: