



T&S BRASS AND BRONZE WORKS, INC.

2 Saddleback Cove / P.O. Box 1088
Travelers Rest, SC 29690

Model No.

018230-45

Item No.

Travelers Rest, SC: 800-476-4103 • Simi Valley, CA: 800-423-0150 • Fax: 864-834-3518 • www.tsbrass.com

This Space for Architect/Engineer Approval

Job Name _____ Date _____

Model Specified _____ Quantity _____

Customer/Wholesaler _____

Contractor _____

Architect/Engineer _____

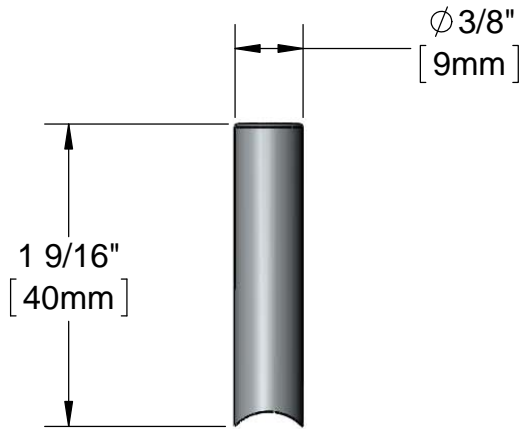
Color Coded Temperature Index



Cold Towards Spout ←



→ Hot Towards Backsplash



M3x0.5 Pan Head Screw



Product Specifications:
Temperature Control Handle w/ Screw, EC-3122

Drawn

DMH

Checked

GEF

Approved

JHB

Scale:

1:1

Date:

10/12/11