



T&S BRASS AND BRONZE WORKS, INC.

2 Saddleback Cove / P.O. Box 1088
Travelers Rest, SC 29690

Model No.

017963-40

Item No.

Travelers Rest, SC: 800-476-4103 • Simi Valley, CA: 800-423-0150 • Fax: 864-834-3518 • www.tsbrass.com

This Space for Architect/Engineer Approval

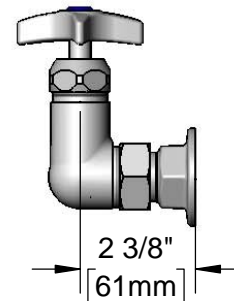
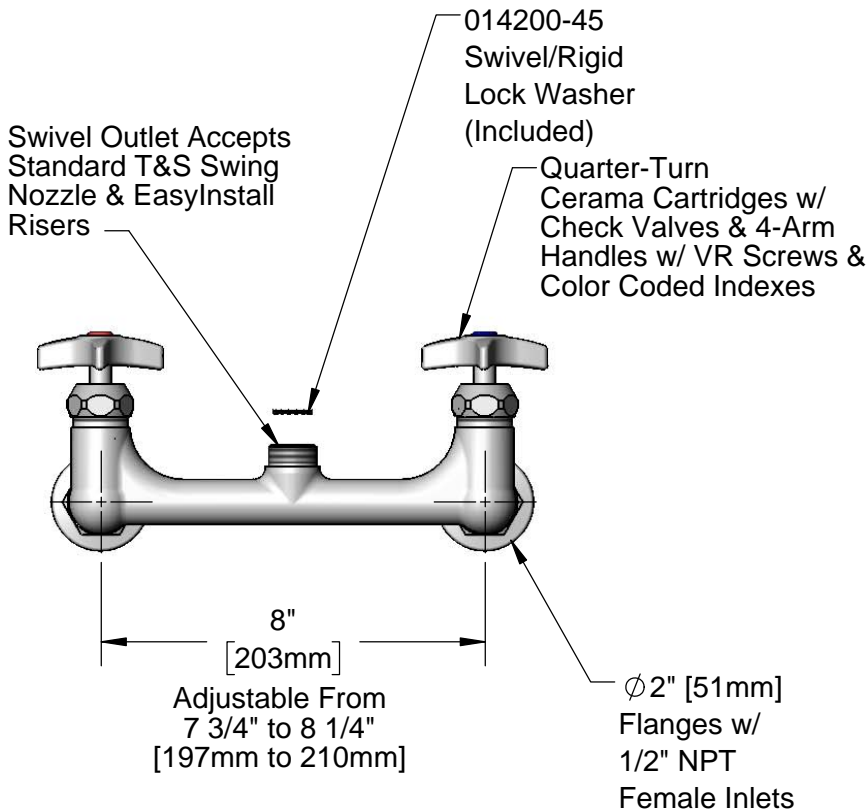
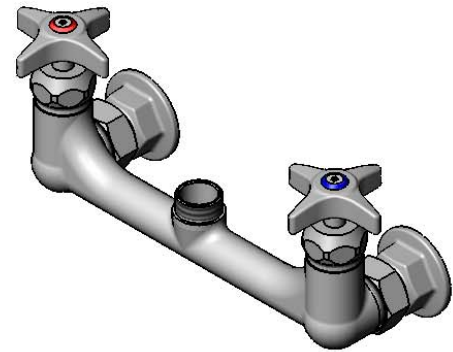
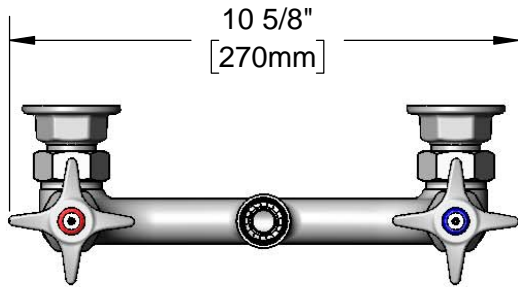
Job Name _____ Date _____

Model Specified _____ Quantity _____

Customer/Wholesaler _____

Contractor _____

Architect/Engineer _____



Ø2" [51mm]
Flanges w/
1/2" NPT
Female Inlets

Product Specifications:

8" Wall Mount Base Faucet Assembly, Vandal Resistant, Quarter-Turn Cerama Cartridges w/ Check Valves, 4-Arm Handles, Wall Flanges

Product Compliance:

ASME A112.18.1 / CSA B125.1
NSF 61 - Section 9
NSF 372 (Low Lead Content)
ANSI A117.1 (ADA)



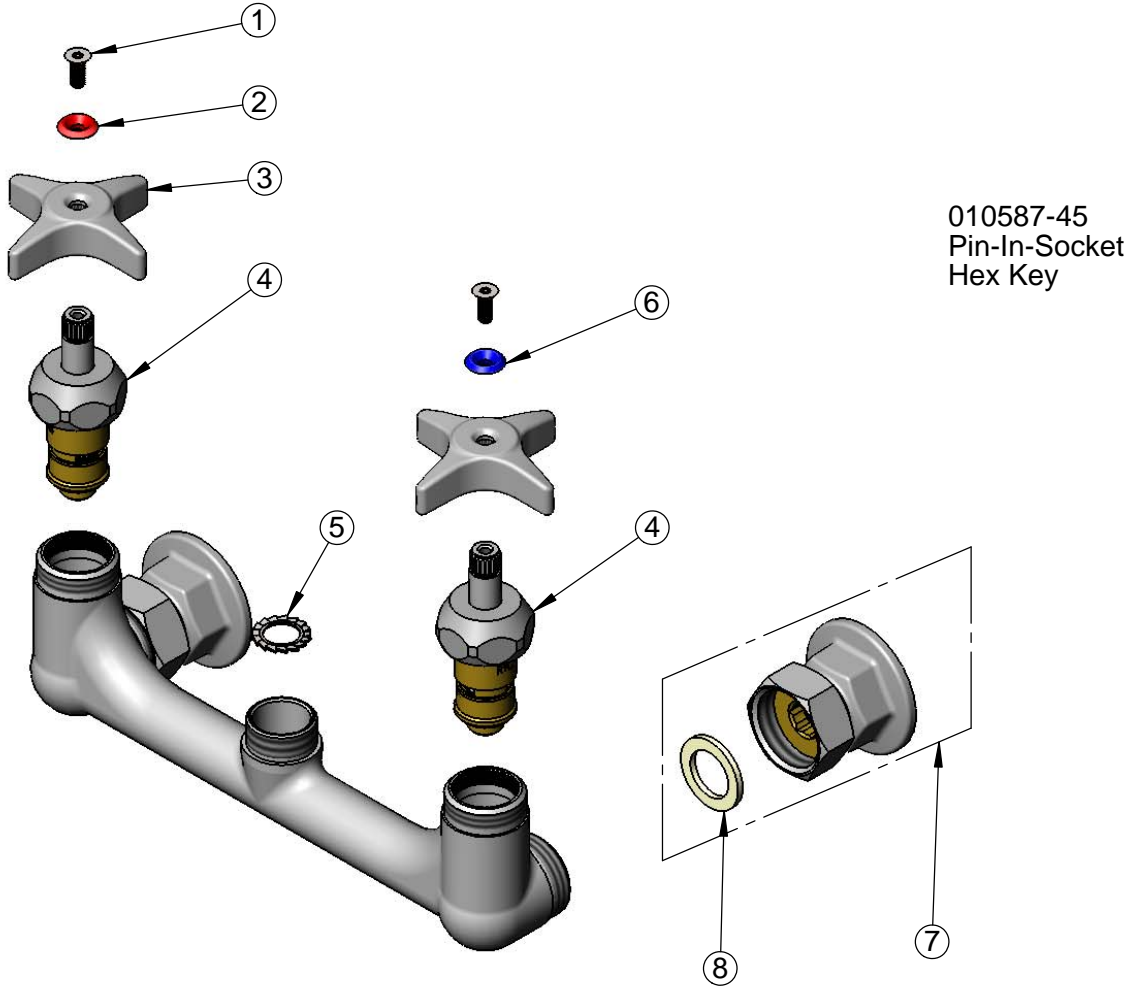
T&S BRASS AND BRONZE WORKS, INC.
 2 Saddleback Cove / P.O. Box 1088
 Travelers Rest, SC 29690

Model No.
017963-40

Item No.

Travelers Rest, SC: 800-476-4103 • Simi Valley, CA: 800-423-0150 • Fax: 864-834-3518 • www.tsbrass.com

ITEM NO.	SALES NO.	DESCRIPTION
1	B-VRS	Pin-In-Socket Screw w/ Hex Key
2	001661-45	Red Index-HW
3	002521-45	4-Arm Handle
4	012394-25NS	Quarter-Turn Cerama Cartridge w/ Check Valve, RTC
5	014200-45	Star Washer, Anti-Rotation
6	001660-45	Blue Index-CW
7	00AA	1/2" NPT Female Eccentric Flange
8	001019-45	Coupling Nut Washer



Product Specifications:
 8" Wall Mount Base Faucet Assembly, Vandal Resistant, Quarter-Turn Cerama Cartridges w/ Check Valves, 4-Arm Handles, Wall Flanges

Product Compliance:
 ASME A112.18.1 / CSA B125.1
 NSF 61 - Section 9
 NSF 372 (Low Lead Content)
 ANSI A117.1 (ADA)