



**T&S BRASS AND BRONZE WORKS, INC.**  
 2 Saddleback Cove / P.O. Box 1088  
 Travelers Rest, SC 29690

Model No.  
**017925-40**

Item No.

Travelers Rest, SC: 800-476-4103 • Simi Valley, CA: 800-423-0150 • Fax: 864-834-3518 • www.tsbrass.com

This Space for Architect/Engineer Approval

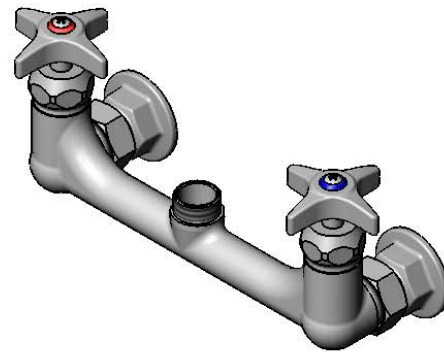
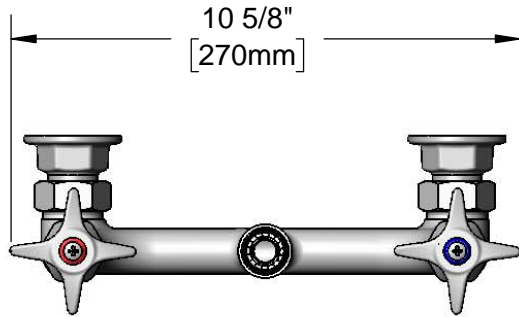
Job Name \_\_\_\_\_ Date \_\_\_\_\_

Model Specified \_\_\_\_\_ Quantity \_\_\_\_\_

Customer/Wholesaler \_\_\_\_\_

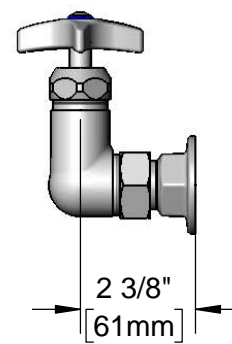
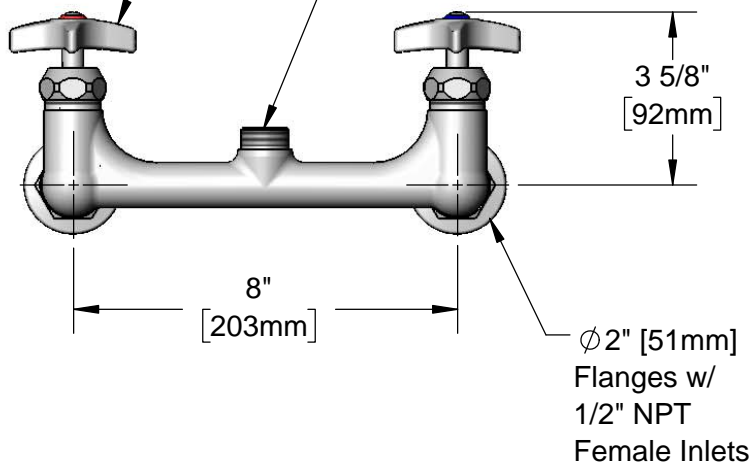
Contractor \_\_\_\_\_

Architect/Engineer \_\_\_\_\_



Quarter-Turn Cerama Cartridges  
 w/ Check Valves &  
 4-Arm Handles w/  
 Color Coded Indexes

Swivel Outlet Accepts  
 Standard T&S  
 Swing Nozzles &  
 EasyInstall Risers



**Product Specifications:**

8" Center Wall Mount Mixing Faucet, Quarter-Turn Cerama Cartridges, w/ Check Valves, 4-Arm Handles & 1/2" NPT Female Inlets

**Product Compliance:**

ASME A112.18.1 / CSA B125.1  
 NSF 61 -Section 9  
 NSF 372 (Low Lead Content)  
 ANSI A117.1 (ADA)



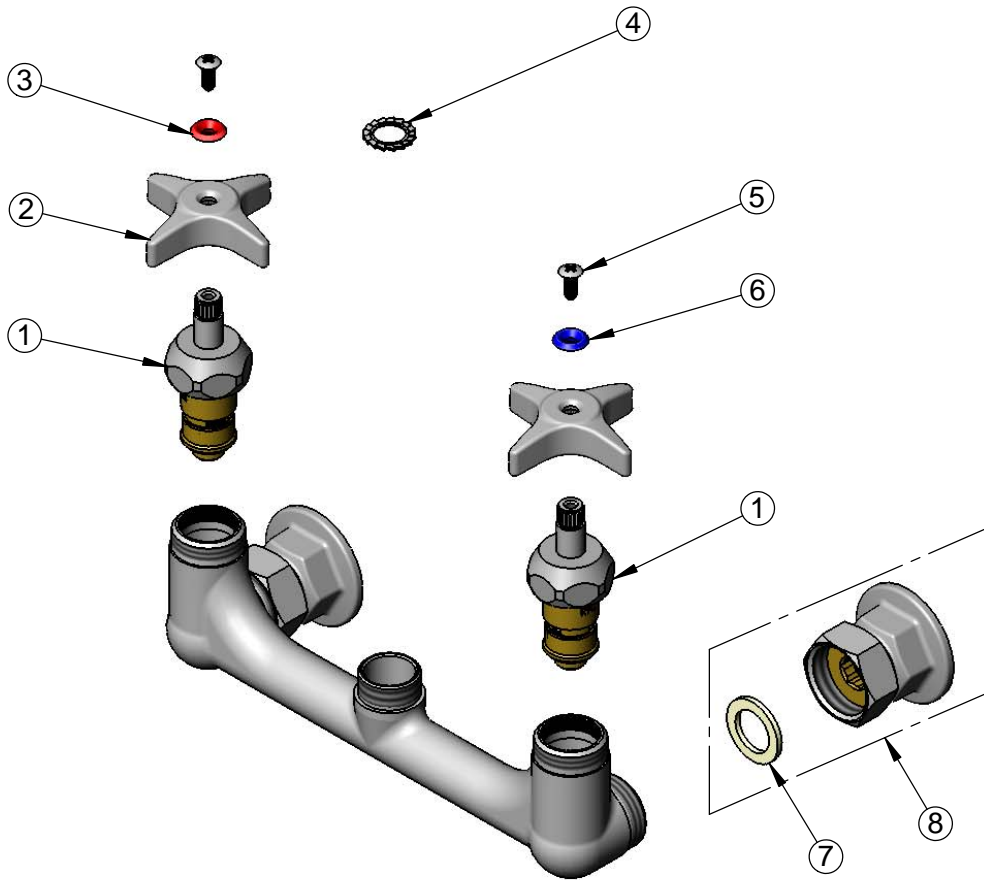
**T&S BRASS AND BRONZE WORKS, INC.**  
 2 Saddleback Cove / P.O. Box 1088  
 Travelers Rest, SC 29690

Model No.  
**017925-40**

Item No.

Travelers Rest, SC: 800-476-4103 • Simi Valley, CA: 800-423-0150 • Fax: 864-834-3518 • www.tsbrass.com

ITEM NO.	SALES NO.	DESCRIPTION
1	012394-25NS	Quarter-Turn Cerama Cartridge w/ Check Valve, RTC
2	002521-45	4-Arm Handle
3	001661-45	Red Index-HW
4	014200-45	Star Washer, Anti-Rotation
5	000922-45	Lever Handle Screw
6	001660-45	Blue Index-CW
7	001019-45	Coupling Nut Washer
8	00AA	1/2" NPT Female Eccentric Flange



**Product Specifications:**

8" Center Wall Mount Mixing Faucet, Quarter-Turn Cerama Cartridges, w/ Check Valves, 4-Arm Handles & 1/2" NPT Female Inlets

**Product Compliance:**

ASME A112.18.1 / CSA B125.1  
 NSF 61 -Section 9  
 NSF 372 (Low Lead Content)  
 ANSI A117.1 (ADA)