



T&S BRASS AND BRONZE WORKS, INC.
 2 Saddleback Cove / P.O. Box 1088
 Travelers Rest, SC 29690

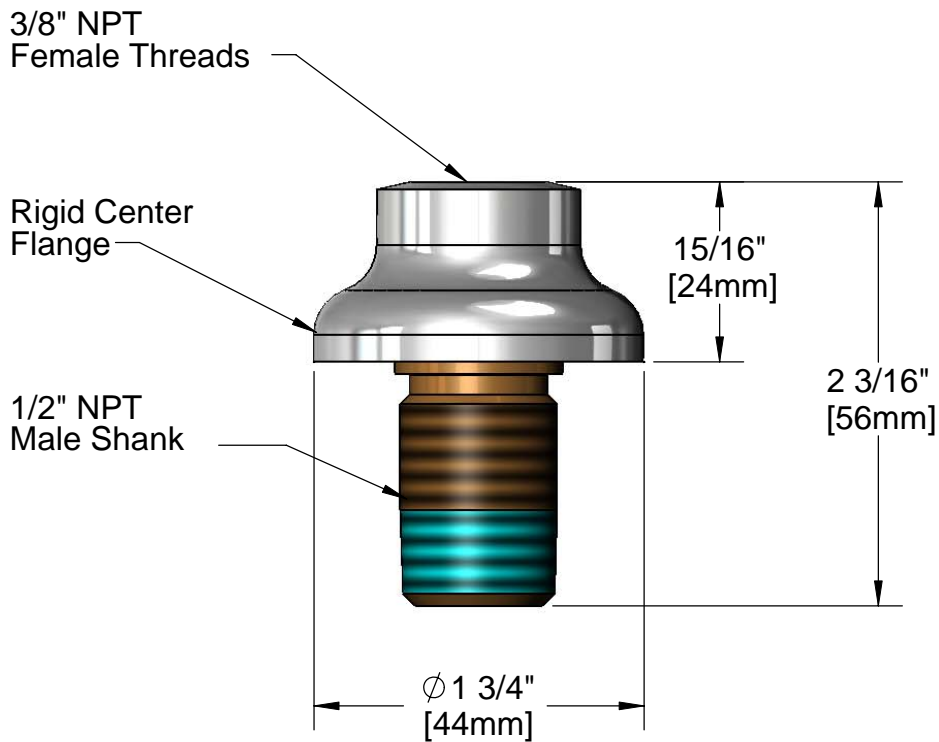


REG. #A2601
 ISO #9001

Model No.
017913-40

Item No.

Travelers Rest, SC: 800-476-4103 Simi Valley, CA: 800-423-0150 Fax: 864-834-3518 www.tsbrass.com



Rough-In Requirement
 Ø 1" [25mm] Hole

Product Specifications:
Shank, O-ring & Flange Assy

Drawn KJG	Checked MAV	Approved JHB
Scale: 1:4		Date: 03/22/10