



T&S BRASS AND BRONZE WORKS, INC.

2 Saddleback Cove / P.O. Box 1088
Travelers Rest, SC 29690



REG. #A2601
ISO #9001

Model No.

017892-45

Item No.

Travelers Rest, SC: 800-476-4103 Simi Valley, CA: 800-423-0150 Fax: 864-834-3518 www.tsbrass.com

This Space for Architect/Engineer Approval

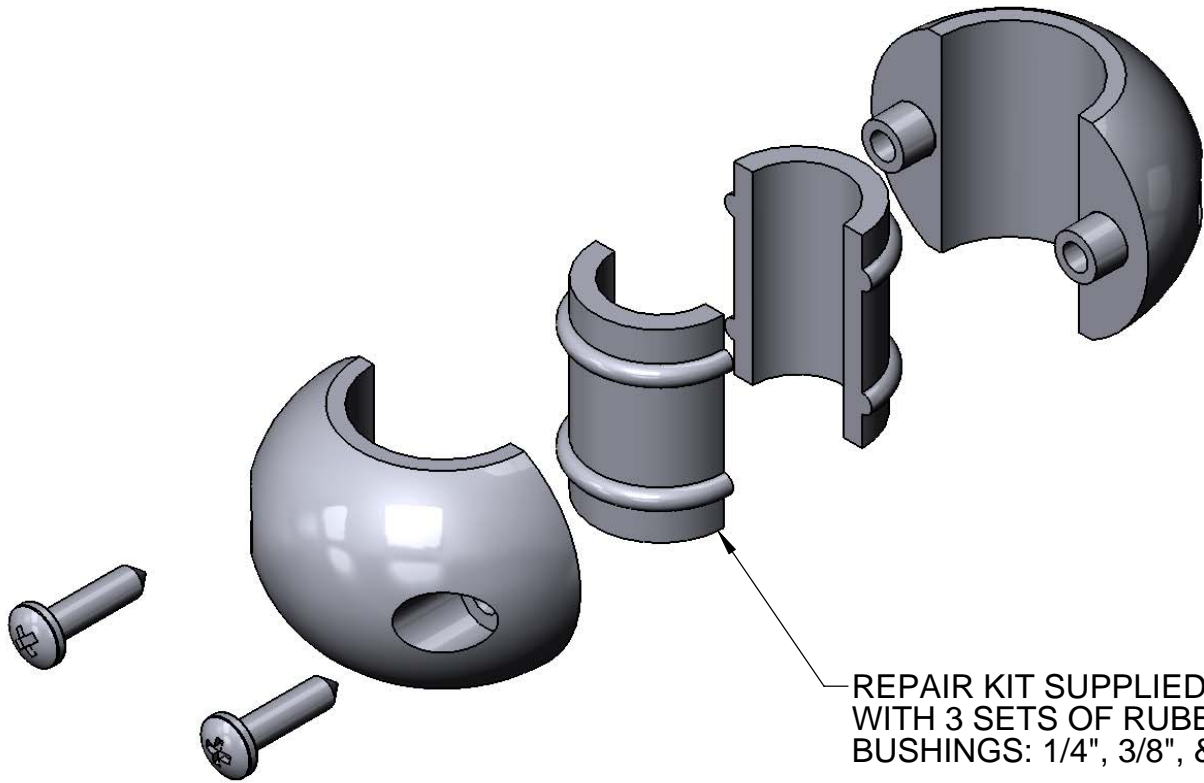
Job Name _____ Date _____

Model Specified _____ Quantity _____

Customer/Wholesaler _____

Contractor _____

Architect/Engineer _____



REPAIR KIT SUPPLIED
WITH 3 SETS OF RUBBER
BUSHINGS: 1/4", 3/8", & 1/2"

For Use on ESA-4L33-S & ESA-4L50-S Hose Reel

Product Specifications:
**HOSE STOP KIT
ESA HOSEREELS**

Drawn JRM	Checked DMH	Approved JHB
Scale: 1:1		Date: 03/24/10