



T&S BRASS AND BRONZE WORKS, INC.

2 Saddleback Cove / P.O. Box 1088
Travelers Rest, SC 29690

Model No.

017888-45

Item No.

Travelers Rest, SC: 800-476-4103 • Simi Valley, CA: 800-423-0150 • Fax: 864-834-3518 • www.tsbrass.com

This Space for Architect/Engineer Approval

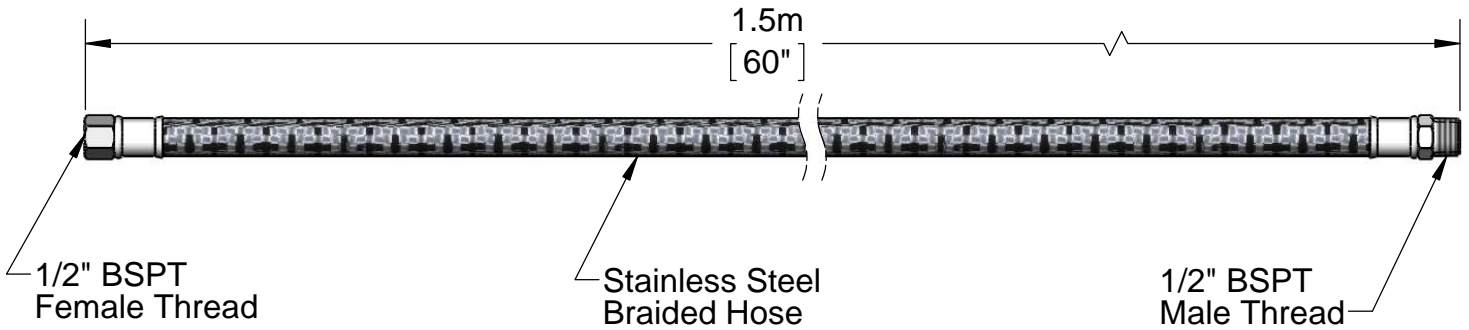
Job Name _____ Date _____

Model Specified _____ Quantity _____

Customer/Wholesaler _____

Contractor _____

Architect/Engineer _____



Product Specifications:
ESA Hose Reel 1.5m Stainless Steel Braided Connector Hose,
1/2" BSPT Male & Female Fittings

Drawn

DHL

Checked

KJG

Approved

JHB

Scale:

1:4

Date:

11/21/11