



T&S BRASS AND BRONZE WORKS, INC.

2 Saddleback Cove / P.O. Box 1088
Travelers Rest, SC 29690



REG. #A2601
ISO #9001

Model No.

017587-45

Item No.

Travelers Rest, SC: 800-476-4103 Simi Valley, CA: 800-423-0150 Fax: 864-834-3518 www.tsbrass.com

This Space for Architect/Engineer Approval

Job Name _____ Date _____

Model Specified _____ Quantity _____

Customer/Wholesaler _____

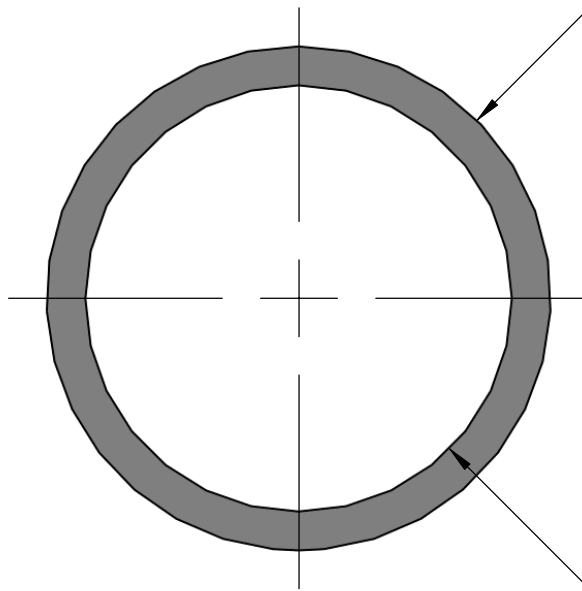
Contractor _____

Architect/Engineer _____

1/16"
[1mm]



Ø 1 5/16"
[33mm]



Ø 1 1/8"
[28mm]

Product Specifications:

Seal, Swivel Nut - EPDM

Drawn

DMH

Checked

JRM

Approved

JHB

Scale:

2:1

Date:

04/21/09