



T&S BRASS AND BRONZE WORKS, INC.

2 Saddleback Cove / P.O. Box 1088
Travelers Rest, SC 29690

Model No.

017186-40

Item No.

Travelers Rest, SC: 800-476-4103 • Simi Valley, CA: 800-423-0150 • Fax: 864-834-3518 • www.tsbrass.com

This Space for Architect/Engineer Approval

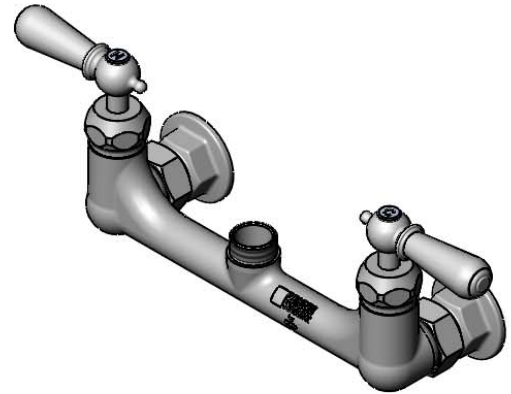
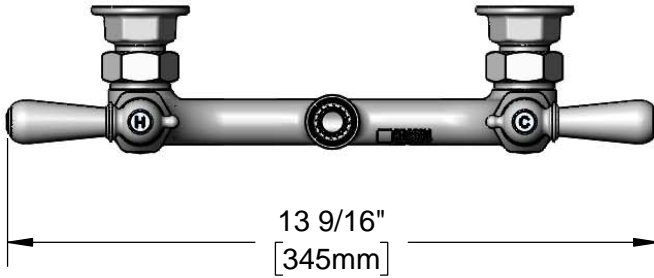
Job Name _____ Date _____

Model Specified _____ Quantity _____

Customer/Wholesaler _____

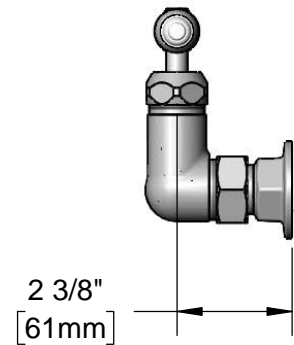
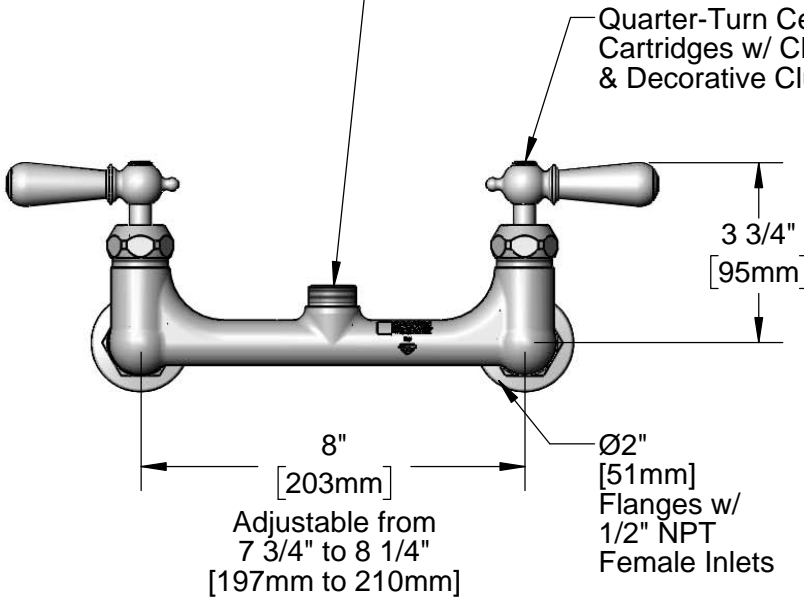
Contractor _____

Architect/Engineer _____



Swivel Outlet Accepts Standard T&S Swing Nozzles and EasyInstall Risers. Converts to Rigid w/ 014200-45 Lock Washer (Included)

Quarter-Turn Cerama Cartridges w/ Check Valves & Decorative Club Handles



Product Specifications:

EasyInstall 8" Wall Mount Base Faucet, Quarter-Turn Cerama Cartridges w/ Check Valves, Decorative Club Handles & 1/2 NPT Female Inlets

Product Compliance:

ASME A112.18.1 / CSA B125.1
NSF 61 - Section 9
NSF 372 (Low Lead Content)
ANSI A117.1 (ADA)



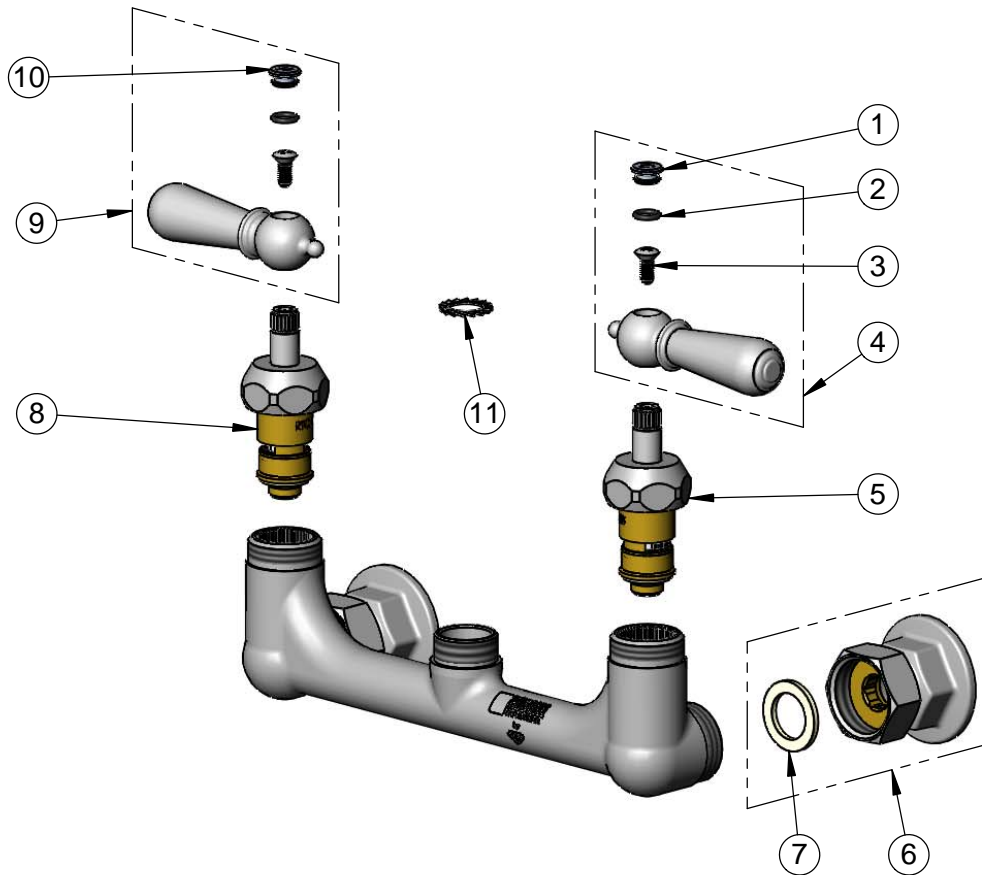
T&S BRASS AND BRONZE WORKS, INC.
 2 Saddleback Cove / P.O. Box 1088
 Travelers Rest, SC 29690

Model No.
017186-40

Item No.

Travelers Rest, SC: 800-476-4103 • Simi Valley, CA: 800-423-0150 • Fax: 864-834-3518 • www.tsbrass.com

ITEM NO.	SALES NO.	DESCRIPTION
1	009304-41	Decorative Cap Insert, Cold
2	001066-45	O-Ring
3	000922-45	Lever Handle Screw
4	009331-41	Decorative Club Handle - Cold
5	012395-25NS	Quarter-Turn Cerama Cartridge w/ Check Valve, LTC
6	00AA	1/2" NPT Female Eccentric Flange
7	001019-45	Coupling Nut Washer
8	012394-25NS	Quarter-Turn Cerama Cartridge w/ Check Valve, RTC
9	009332-45	Decorative Club Handle - Hot
10	009303-41	Decorative Cap Insert, Hot
11	014200-45	Star Washer, Anti-Rotation



Product Specifications:

EasyInstall 8" Wall Mount Base Faucet, Quarter-Turn Cerama Cartridges w/
 Check Valves, Decorative Club Handles & 1/2 NPT Female Inlets

Product Compliance:

ASME A112.18.1 / CSA B125.1
 NSF 61 - Section 9
 NSF 372 (Low Lead Content)
 ANSI A117.1 (ADA)