



# T&S BRASS AND BRONZE WORKS, INC.

2 Saddleback Cove / P.O. Box 1088  
Travelers Rest, SC 29690

Model No.

**016754-40**

Item No.

Travelers Rest, SC: 800-476-4103 • Simi Valley, CA: 800-423-0150 • Fax: 864-834-3518 • www.tsbrass.com

This Space for Architect/Engineer Approval

Job Name \_\_\_\_\_ Date \_\_\_\_\_

Model Specified \_\_\_\_\_ Quantity \_\_\_\_\_

Customer/Wholesaler \_\_\_\_\_

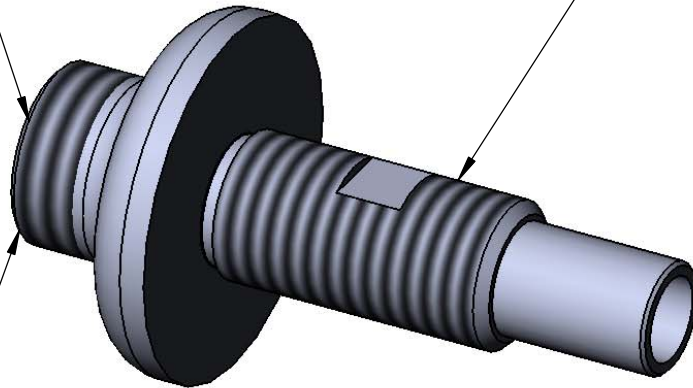
Contractor \_\_\_\_\_

Architect/Engineer \_\_\_\_\_

Fits All T&S  
Swivel Goosenecks  
or Swing Nozzles

1/2-14 NPSM  
Male Thread

1-20 UN  
Male Thread



Product Specifications:  
EasyInstall CWS Swivel Center Shank Assembly

Drawn

JRM

Checked

DHL

Approved

JHB

Scale:

1:1

Date:

03/24/12